

# SMP, SMPM & SMPS PRODUCTS

## Features

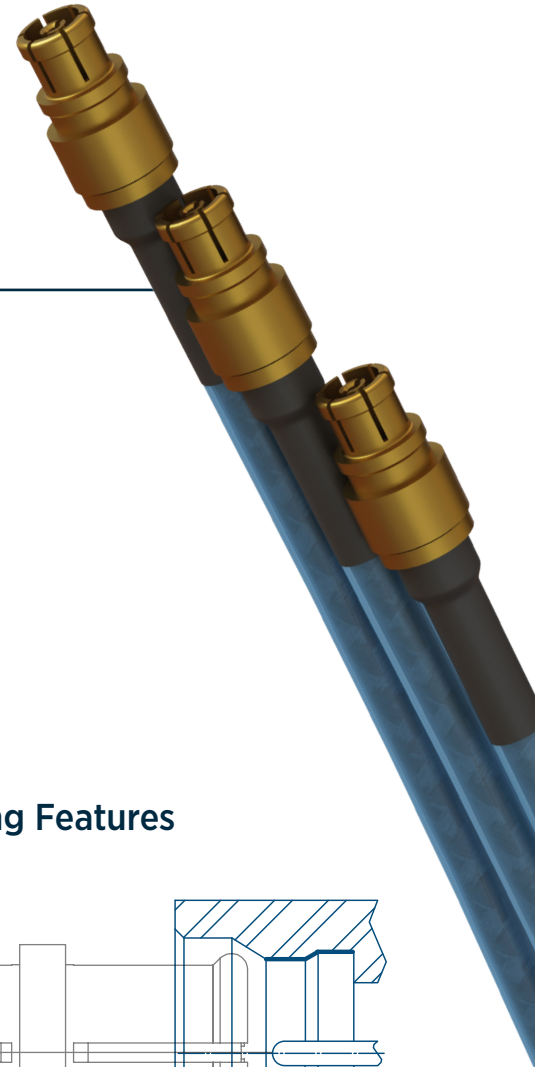
- Blindmate design
- RF performance DC to 40 GHz (SMP), 65 GHz (SMPM) & 100 GHz (SMPS)
- Designed to accommodate radial, axial and angular misalignments
- Intermateable with other industry standard connectors
- Full detent, limited detent (SMP only) and smooth bore options available

## Applications

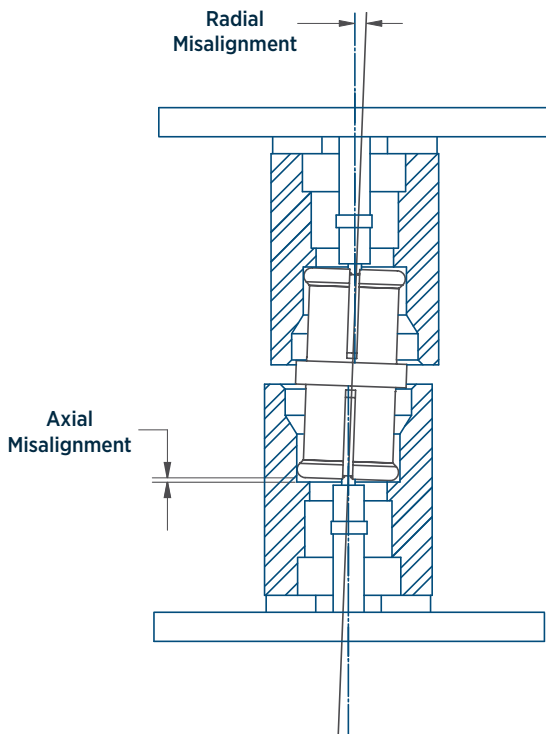
- Aerospace
- Military
- Broadband
- Instrumentation
- Telecommunications
- Satellite Communications Equipment (SATCOM)

## Benefits

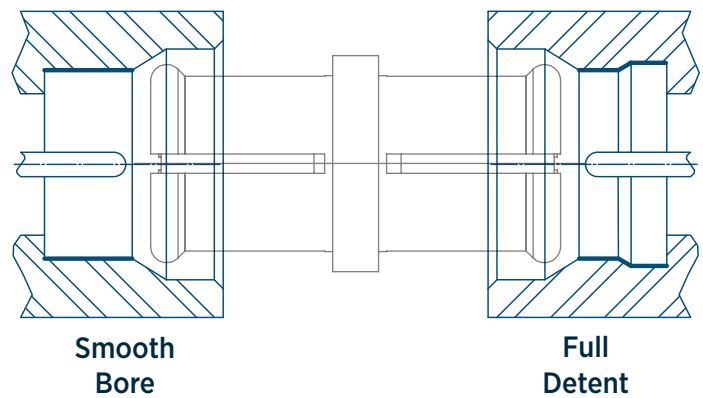
- Push-on mating for quick installation
- High density packaging possibilities
- Ideal performance even under misaligned conditions
- Mates to the GPO® (SMP), GPPO® (SMPM) & G3PO® (SMPS)



### Typical Misalignment



### Mating Features



	SMP	SMPM	SMPS
Smooth Bore	•	•	•
Full Detent	•	•	•
Limited Detent	•		
Axial Misalignment	0 - .010"		
Radial Misalignment	3° Max		

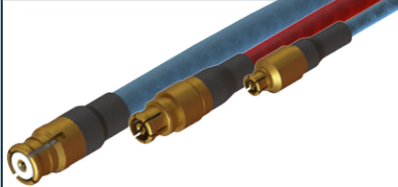
## Specifications

Electrical	SMP			SMPM		SMPS	
Impedance	50Ω			50Ω		50Ω	
Frequency Range	40 GHz			65 GHz		100 GHz	
VSWR	1.15:1 to 26.5 GHz typ. 1.5:1 to 40 GHz typ.			1.10:1 to 26.5 GHz typ. 1.30:1 to 50 GHz typ.		1.10:1 to 26.5 GHz typ. 1.25:1 to 65 GHz typ.	
Mechanical	SMP			SMPM		SMPS	
Temperature Rating	-65 to +165°C			-65 to +165°C		-65 to +165°C	
Center-to-center Spacing (min)	.156			.125		.085	
	Smooth Bore	Limited Detent	Full Detent	Smooth Bore	Full Detent	Smooth Bore	Full Detent
Mating Cycles (min)	1000	500	100	500	100	500	100
Typical Force to Engage / Disengage	2.0 / 0.5 lbs	5.0 / 7.0 lbs	7.0 / 9.0 lbs	2.5 / 1.5 lbs	6.5 / 4.5 lbs	1.2 / 0.9 lbs	4.2 / 2.2 lbs

## Products Available

Surface Mount	
Edge Launch	
Female to Female 'Bullets'	
D38999 and Multiport Contacts	
Custom Multiport	
VITA 67.1, 67.2 & 67.3	

## Products Available

Cable Connectors	
Cable Assemblies	
Terminations	
QuarterBack® Connectors	
Adapters	
Tools	

Visit our Website Product Search for Detailed Descriptions