

# Mini-D RF Connection System

## Features & Benefits

- High Frequency RF performance to 67 GHz
- High density design (.110" port-to-port spacing)
- Proven SMPS interface - bullets (female-to-female adapters) used as connector savers for long product life
- SMPS interface recessed from D-Sub housing to protect from damage
- Bullets easily removed with standard SMPS removal tool
- PCB Edge Mount and Surface Mount connector options available
- Keyed D-Sub design to avoid mis-mating
- Easy mating/de-mating with thumbscrews

## Applications

- Automated Test Equipment (ATE)
- Bench-Top Testing \ Product Evaluation Boards
- Test and Instrumentation
- Military and Aerospace
- Embedded Systems

### Replaceable SMPS Bullets for Extended Cycling Applications



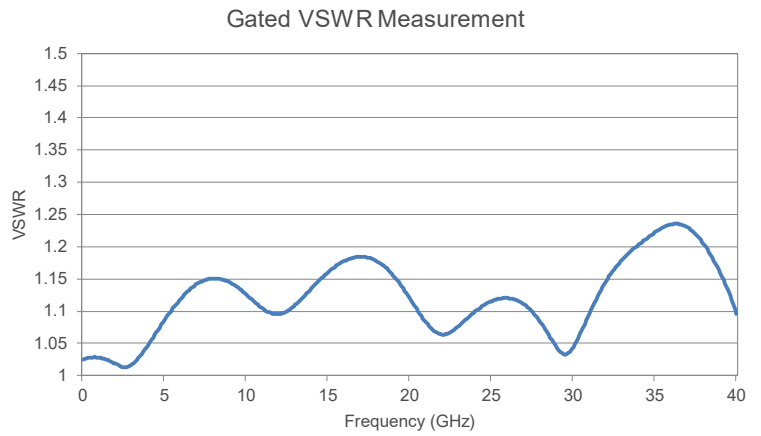
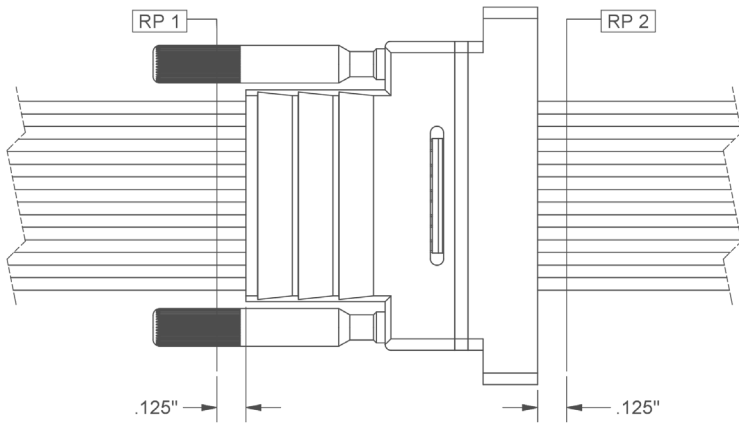
## Specifications

### Mini-D RF Terminated to:

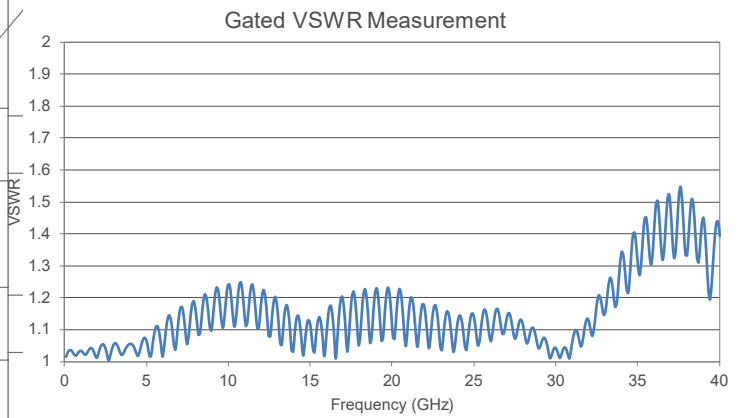
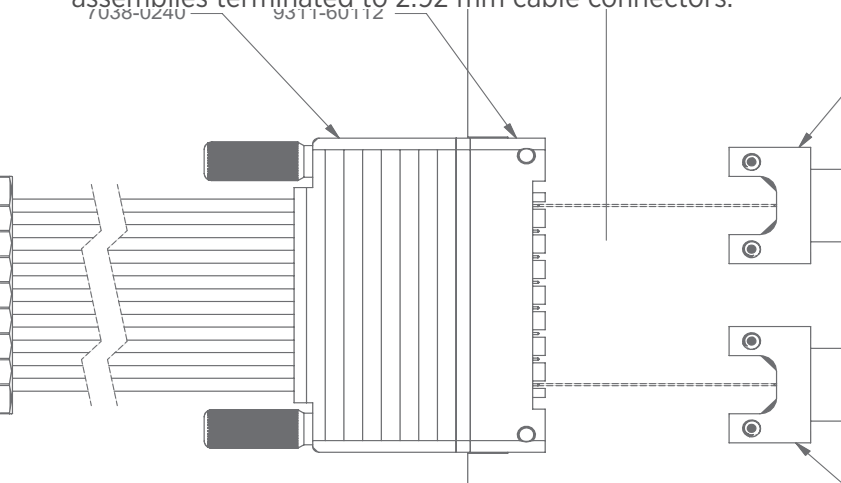
Electrical	SMA	2.92mm	2.4mm	1.85mm
Impedance	50Ω	50Ω	50Ω	50Ω
Max Frequency	26.5 GHz	40 GHz	50 GHz	65 GHz
VSWR (Max)	1.2 : 1 @ 26.5 GHz	1.3 : 1 @ 40 GHz	1.35 : 1 @ 50 GHz	1.4 : 1 @ 65 GHz

### Mechanical

Insertion Force	9 lbs (nominal) to mate 8 position cable connector to PCB mount
Withdrawal Force	7 lbs (nominal) to de-mate 8 position cable connector to PCB mount
Recommended Mating Torque	12 in - oz
Recommended Board Mount Torque	12 in - oz



Gated VSWR measurement was generated using time domain gating at RP1 and RP2 as shown in the above image. Above image consists of Mini-D RF Cable assembly mated to Panel Mount Mini-D RF male cable connector. Cable assemblies terminated to 2.92 mm cable connectors.



Gated VSWR measurement in above image consists of Mini-D RF cable assembly (7038-0211) and mating connector (9311-60112) plus ~.25" PCB after launch transition.

### Mini-D RF Standard Part Numbers

Mini-D RF Female to (8) 2.92mm Male Cable Assemblies for .047 Cable (OAL 6")

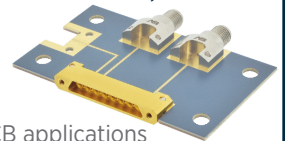
P/N: 7038-0211



Mini-D RF Male PCB Edge Launch Connector, 8 Port

P/N: 9311-60112

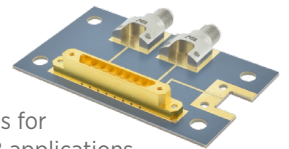
Edge launch for CPW and microstrip PCB applications



Mini-D RF Male PCB Surface Mount Connector, 8 Port

P/N: 9311-60128

Vertical launch with machined channels for use in CPW, microstrip or stripline PCB applications



SMPS Female to Female Replacement Bullet

P/N: 1138-4025



SMPS Bullet Removal Tool

P/N: 500-38-004

