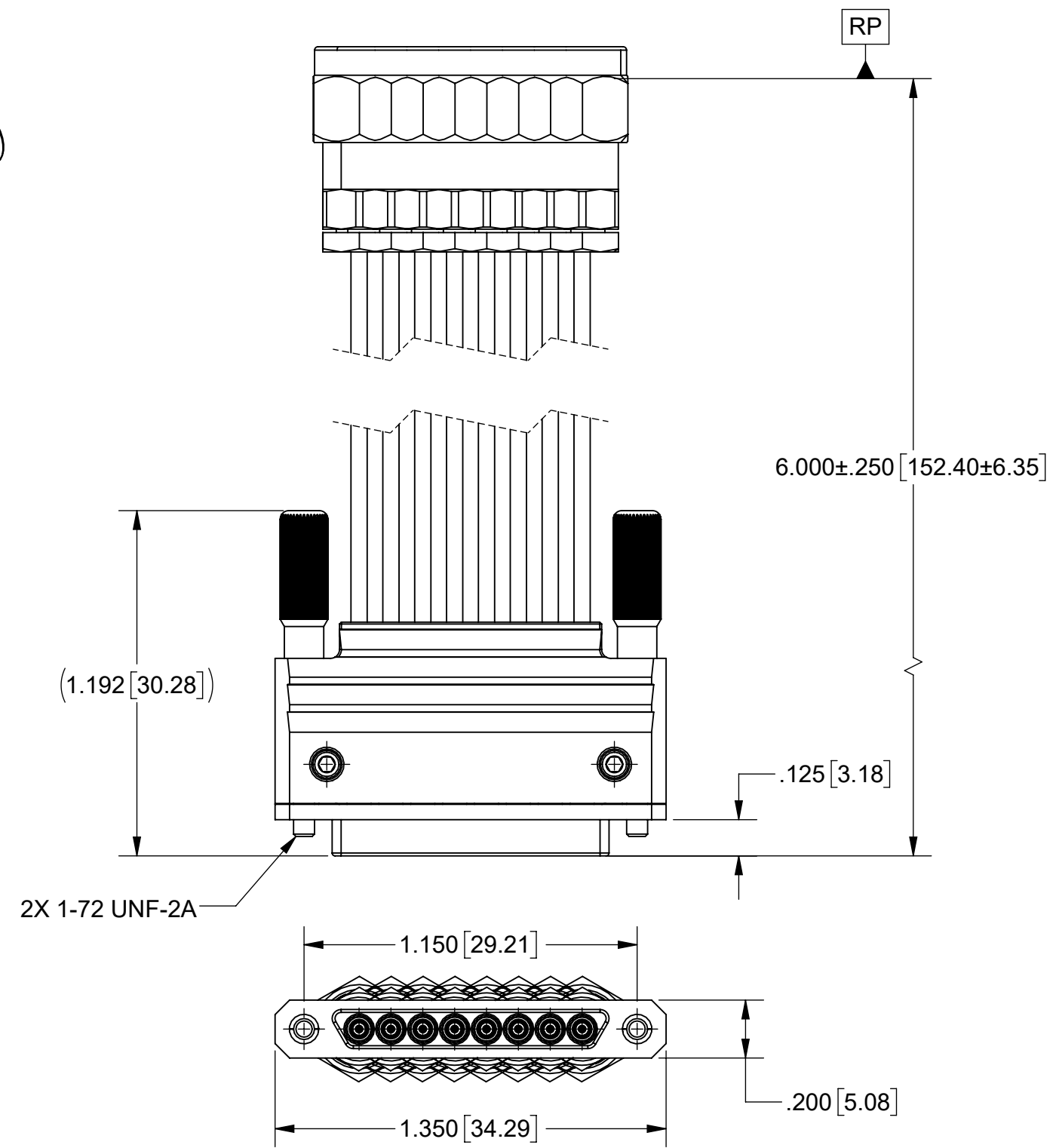
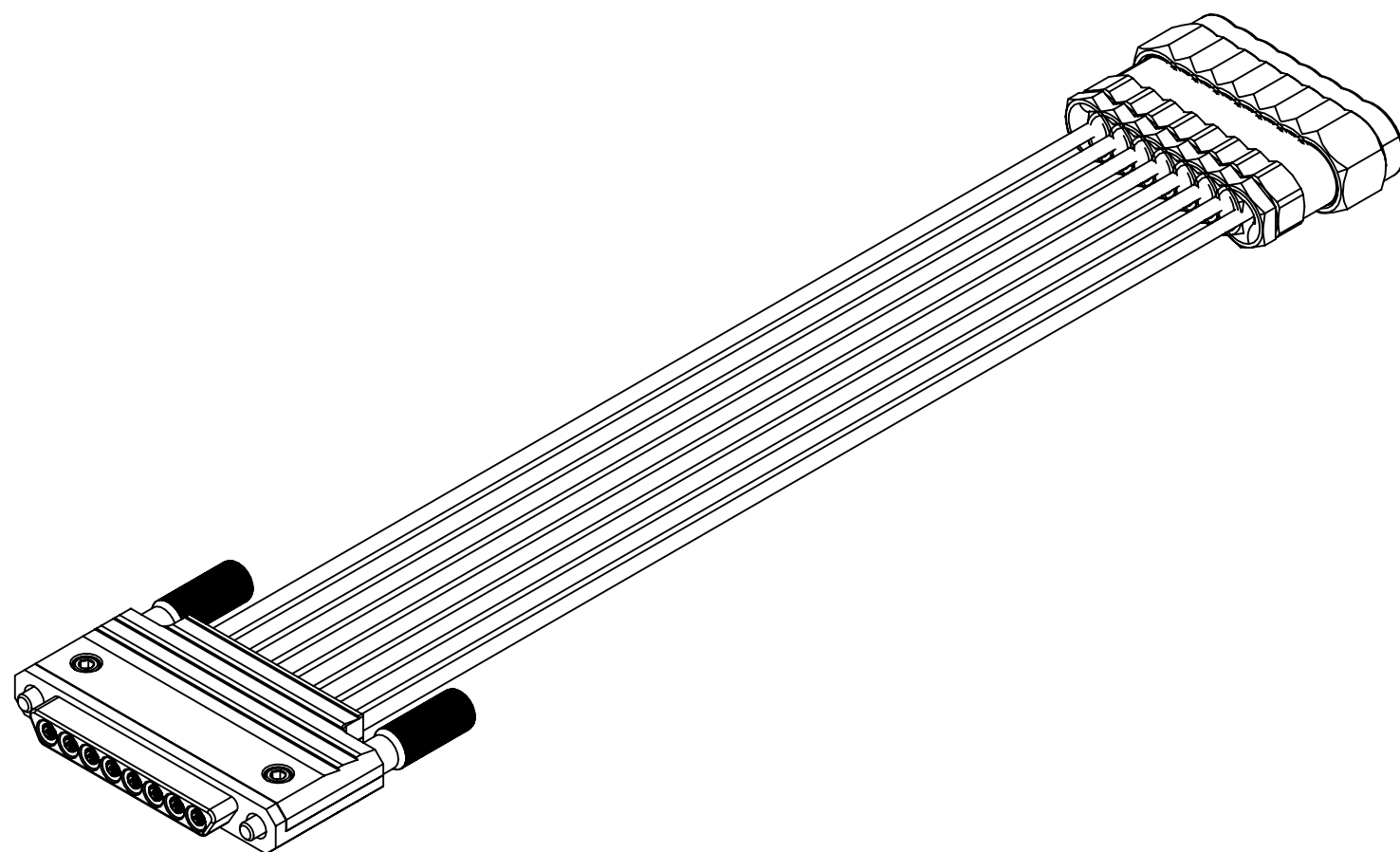


PRODUCT DATA DRAWING

REVISION HISTORY			
REV	DESCRIPTION	DATE	APPROVED
C	DCN 52740	07/23	SEE PDM



MATERIAL:

- MOUNTING SCREWS: STAINLESS STEEL
- D-SUB: ALUMINUM
- CABLE: FLEXIBLE Ø.047 CABLE
- CONNECTORS: 8X SMPS FEMALE (3821-40032)
8X MALE 2.92mm (SF1511-60069)

FINISH:

- MOUNTING SCREWS: PASSIVATED PER AMS-2700
- D-SUB: ANODIZED CLEAR

MATERIAL: SEE NOTES	DIMENSIONS ARE IN INCHES TOLERANCES: FRACTIONAL: ±1/64 ANGULAR: X° ±1°0' X'X' ±15'	UNLESS OTHERWISE SPECIFIED 1) ALL DIMENSIONS ARE IN INCHES (MILLIMETERS) 2) ALL DIMENSIONS ARE AFTER PLATING. 3) BREAK CORNERS & EDGES .005 R. MAX. 4) CHAM. 1ST & LAST THREADS. 5) SURFACE ROUGHNESS 63-MIL-STD-10. 6) DIA: 'S ON COMMON CENTERS TO BE CONCENTRIC WITHIN .005 T.I.R. 7) REMOVE ALL BURRS	 www.svmicrowave.com TITLE: 8 PORT MINI-D RF ASSEMBLY WITH 6" Ø.047 CABLES SIZE DWG. NO. B 7038-0211 SCALE: 2:1 SHEET 1 OF 1
FINISH: SEE NOTES	DECIMAL: X ±.030 .XX ±.010 .XXX ±.005	INTERPRET DIMENSIONS AND TOLERANCES PER ASME Y14.5M - 1994	
SURFACE AREA: N/A	THIRD ANGLE PROJECTION	DRAWN: JMS 02/26/18 CHECKED: SEE PDM APPROVED: SEE PDM	
PROPRIETARY THE INFORMATION CONTAINED IN THIS DRAWING IS THE SOLE PROPERTY OF SV MICROWAVE, INC. ANY REPRODUCTION IN PART OR AS A WHOLE WITHOUT THE WRITTEN PERMISSION OF SV MICROWAVE, INC IS PROHIBITED.			