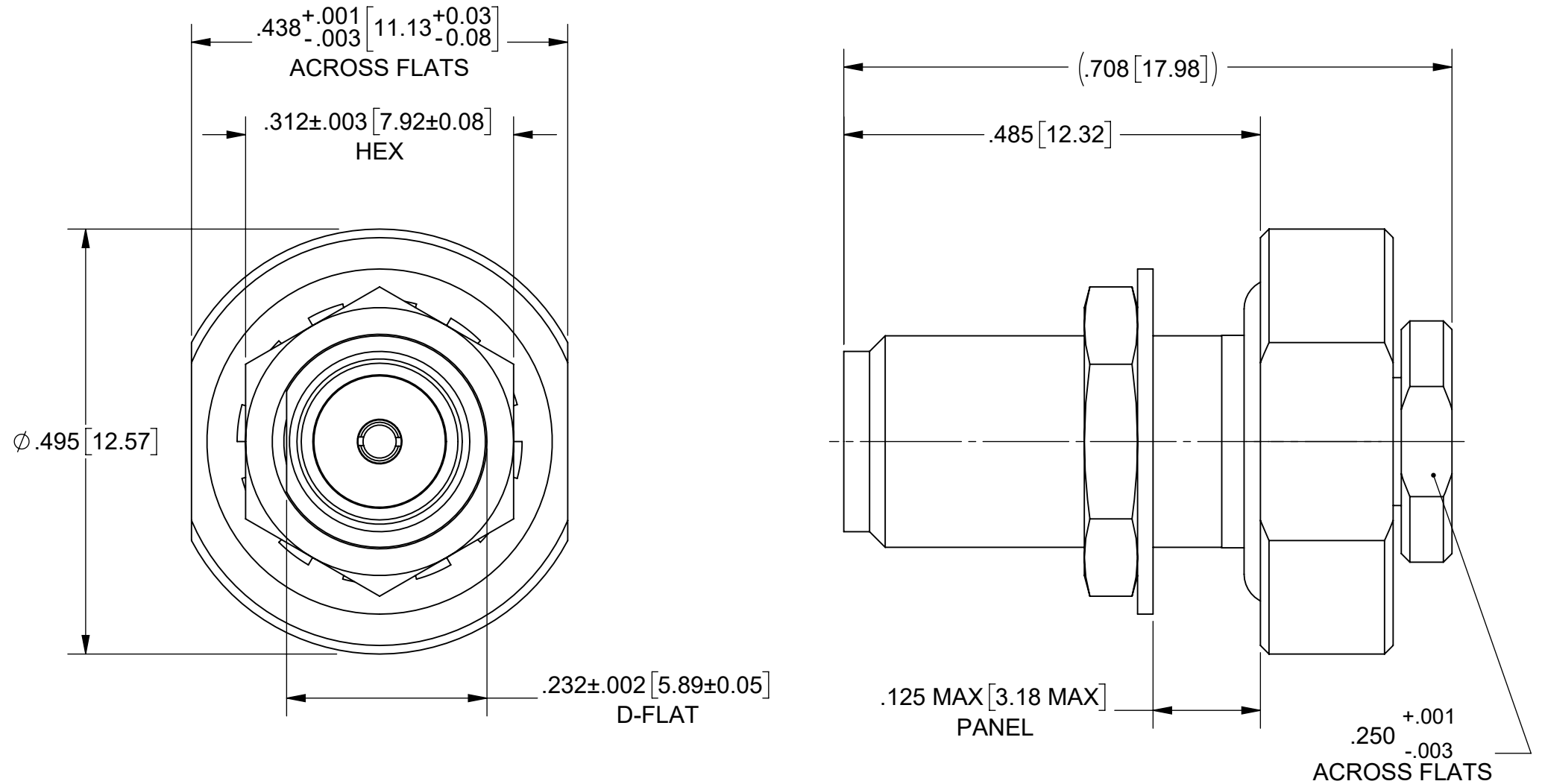
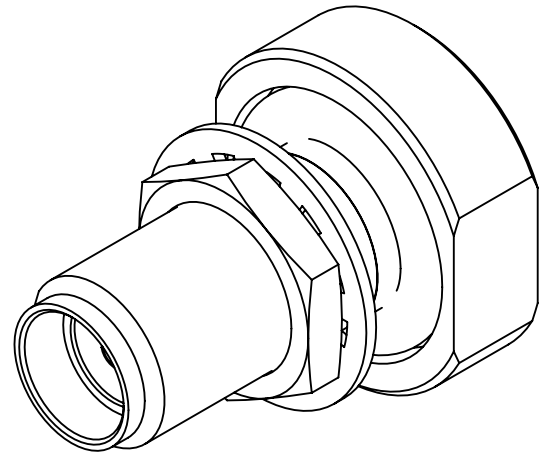


REVISION HISTORY			
REV	DESCRIPTION	DATE	APPROVED
A	DCN 52377	03/23	SEE PDM

# PRODUCT DATA DRAWING



**MATERIAL:**

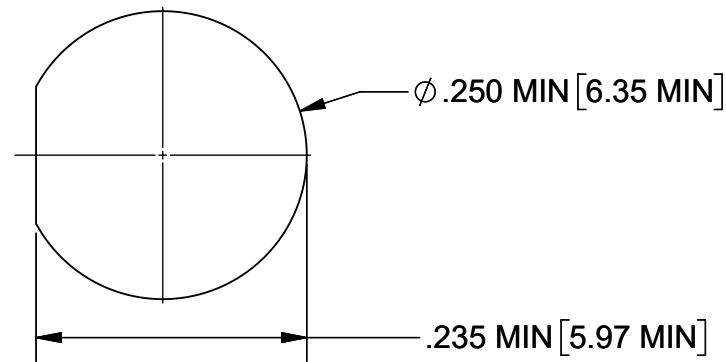
- BODY, INSERT, CLAMP NUT, FERRULE, CONTACT & HEX NUT: BERYLLIUM COPPER
- INSULATOR: PTFE
- O-RING: SILICONE RUBBER
- LOCKWASHER: PHOSPHOR BRONZE

**FINISH:**

- BODY, INSERT, CLAMP NUT, HEX NUT, FERRULE CONTACT & LOCKWASHER: GOLD OVER COPPER

**PERFORMANCE:**

- IMPEDANCE: 50 OHMS
- FREQ. RANGE: DC TO 18.0 GHz.
- MAGNETIC FIELD STRENGTH: <.1 mG



**RECOMMENDED MOUNTING HOLE**

MATERIAL: SEE NOTES	DIMENSIONS ARE IN INCHES TOLERANCES: FRACTIONAL: $\pm 1/64$ ANGULAR: X° $\pm 1'0''$ X°X' $\pm 15''$	UNLESS OTHERWISE SPECIFIED 1) ALL DIMENSIONS ARE IN INCHES (MILLIMETERS) 2) ALL DIMENSIONS ARE AFTER PLATING. 3) BREAK CORNERS & EDGES .005 R. MAX. 4) CHAM. 1ST & LAST THREADS. 5) SURFACE ROUGHNESS 63-MIL-STD-10. 6) DIA.'S ON COMMON CENTERS TO BE CONCENTRIC WITHIN .005 T.I.R. 7) REMOVE ALL BURRS	 Amphenol www.svmicrowave.com TITLE: SMA STR. F (NON-MAGNETIC) CONNECTOR FOR STANDARD FLEXTRA CABLE
FINISH: SEE NOTES	DECIMAL: X $\pm .030$ .XX $\pm .010$ .XXX $\pm .005$	INTERPRET DIMENSIONS AND TOLERANCES PER ASME Y14.5M - 1994	
SURFACE AREA: N/A	THIRD ANGLE PROJECTION	DRAWN: JCL 11/01/22	SIZE DWG. NO. B 2921-40054
PROPRIETARY THE INFORMATION CONTAINED IN THIS DRAWING IS THE SOLE PROPERTY OF SV MICROWAVE, INC. ANY REPRODUCTION IN PART OR AS A WHOLE WITHOUT THE WRITTEN PERMISSION OF SV MICROWAVE, INC IS PROHIBITED.		CHECKED: SEE PDM	SCALE: 6:1
		APPROVED: SEE PDM	SHEET 1 OF 1