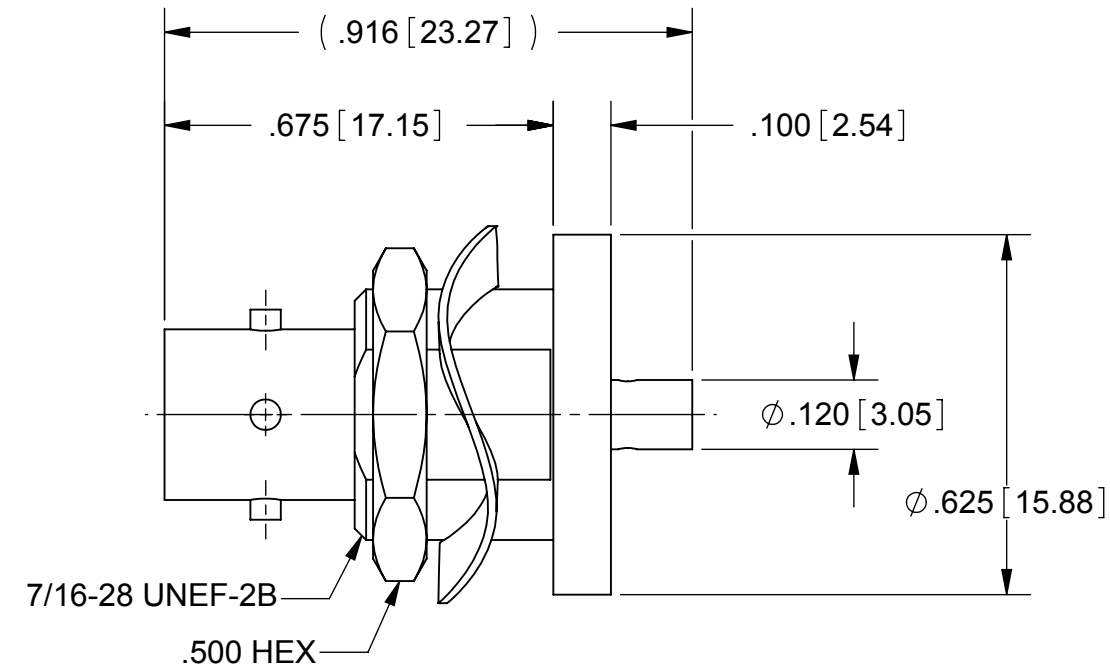
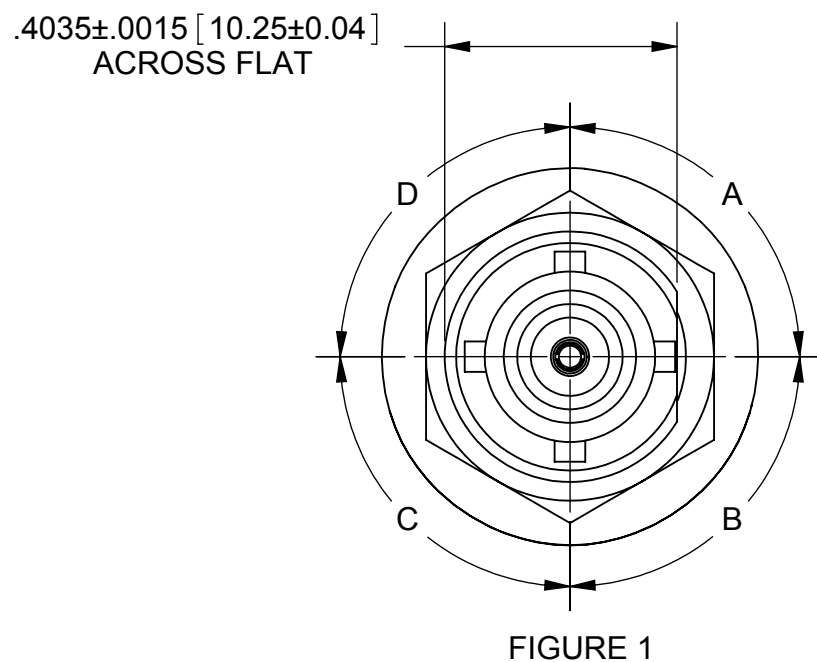
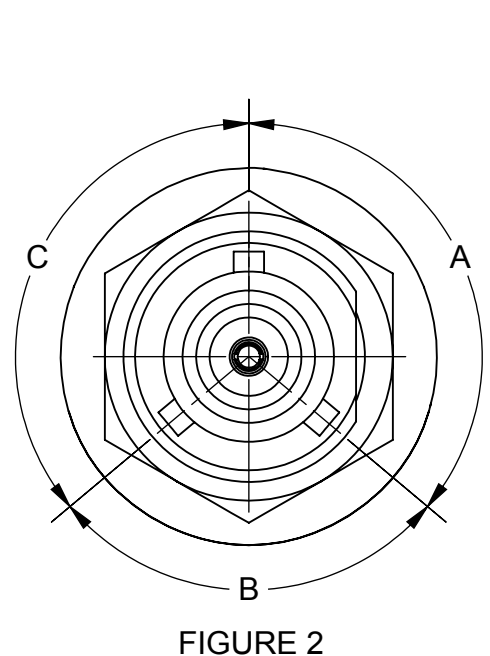


# PRODUCT DATA DRAWING

REVISION HISTORY			
REV	DESCRIPTION	DATE	APPROVED
-	DCN 45425	05/17	GPF



**MATERIAL:**

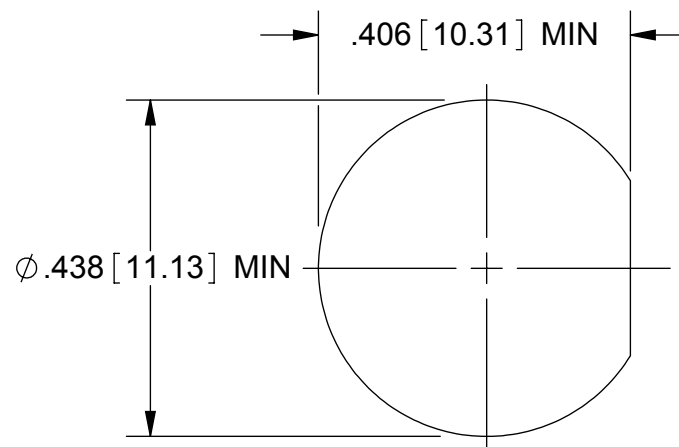
- BODY, & HEX NUT:** STAINLESS STEEL PER AMS-5640, ALLOY UNS S30300, TYPE 1
- CONTACTS:** BERYLLIUM COPPER PER ASTM B196, ALLOY No. UNS C17300, TD04
- FERRULE:** BRASS PER ASTM B16, ALLOY UNS No. C36000
- WAVE WASHER:** 1050 SPRING STEEL X .015 THICK
- INSULATOR:** PTFE PER ASTM D1710, TYPE I, GRADE 1, CLASS B
- GASKET:** CHOMERICS 1287

**FINISH:**

- BODY & HEX NUT:** PASSIVATED PER AMS-2700, TYPE 2
- FERRULE, & CONTACTS:** GOLD PER ASTM B488, TYPE II, CODE C, CLASS 1.27; OVER NICKEL PER AMS-QQ-N-290, CLASS 1, .00005" MIN.
- WAVE WASHER:** NICKEL PER AMS-QQ-N-290, CLASS 1, GRADE G

**PERFORMANCE:**

- IMPEDANCE:** 50 OHMS
- FREQ. RANGE:** DC TO 18 GHz



**RECOMMENDED MOUNTING HOLE**

PART NUMBER	FIGURE	A	B	C	D
SF8721-60109	1	90°	90°	90°	90°
SF8721-60110	2	130°	100°	130°	-
SF8721-60111	2	110°	140°	110°	-
SF8721-60112	2	120°	120°	120°	-

MATERIAL: SEE NOTES	DIMENSIONS ARE IN INCHES TOLERANCES: FRACTIONAL: ±1/64 ANGULAR: X° ±1'0" X°X' ±15'	UNLESS OTHERWISE SPECIFIED 1) ALL DIMENSIONS ARE IN INCHES (MILLIMETERS) 2) ALL DIMENSIONS ARE AFTER PLATING. 3) BREAK CORNERS & EDGES .005 R. MAX. 4) CHAM. 1ST & LAST THREADS. 5) SURFACE ROUGHNESS 63 MIL-STD-10. 6) DIA.'S ON COMMON CENTERS TO BE CONCENTRIC WITHIN .005 T.I.R. 7) REMOVE ALL BURRS	<b>SV Microwave, Inc.</b> www.svmicrowave.com TITLE: <b>ZMA STRAIGHT BULKHEAD JACK FOR RG-405 CABLE</b>		
FINISH: SEE NOTES	DECIMAL: X ±.030 .XX ±.010 .XXX ±.005				
SURFACE AREA: N/A	INTERPRET DIMENSIONS AND TOLERANCES PER ASME Y14.5M - 1994	THIRD ANGLE PROJECTION	DRAWN: VB 05/09/17	SIZE B	DWG. NO. SF8721-60109-60112
PROPRIETARY THE INFORMATION CONTAINED IN THIS DRAWING IS THE SOLE PROPERTY OF SV MICROWAVE, INC. ANY REPRODUCTION IN PART OR AS A WHOLE WITHOUT THE WRITTEN PERMISSION OF SV MICROWAVE, INC IS PROHIBITED.		CHECKED: GPF 05/09/17	APPROVED: GPF 05/09/17	SCALE: 4:1	SHEET 1 OF 1