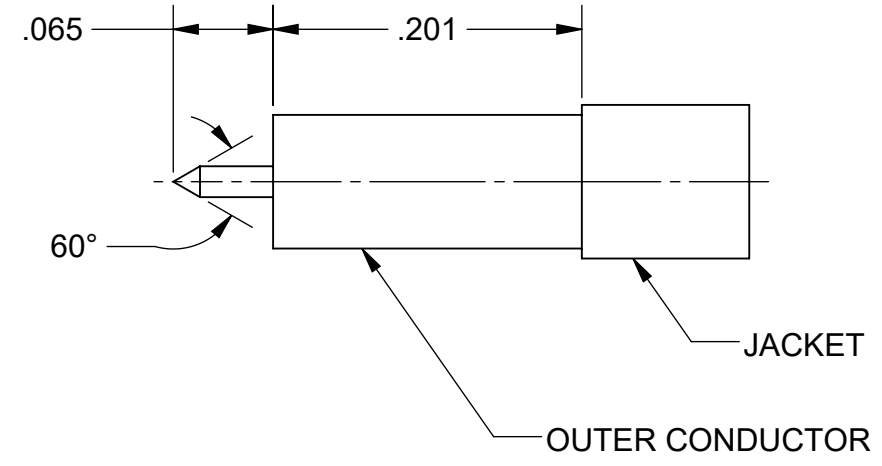
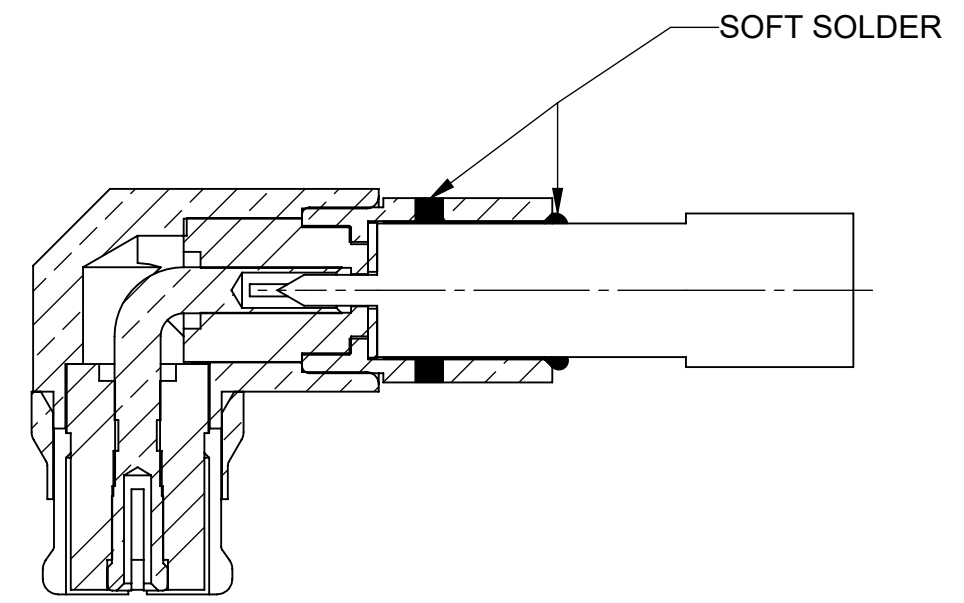


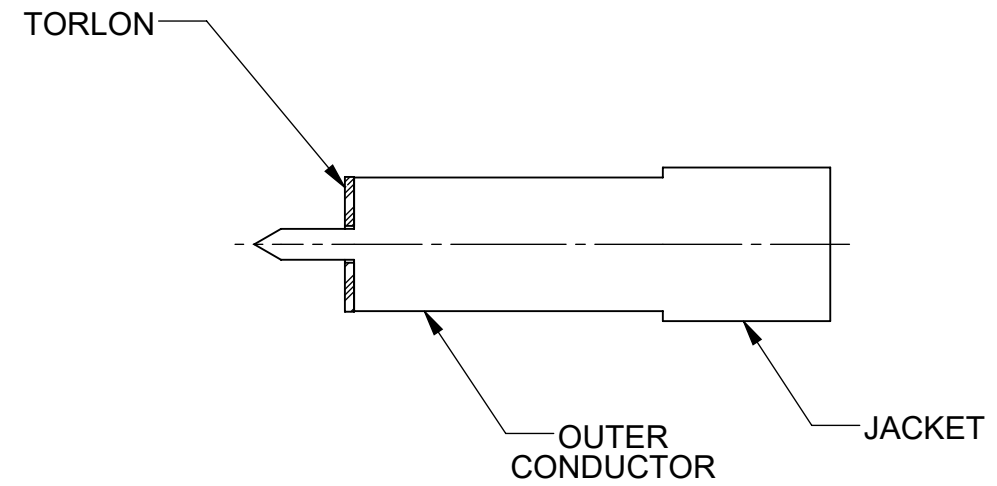
REVISION HISTORY			
REV	DESCRIPTION	DATE	APPROVED
-	REL. NRN 34599	02/13/08	STW
A	DCN 49157	07/19	STW



STEP 1:  
TRIM TO DIMENSIONS SHOWN.



STEP 3:  
INSTALL CABLE INTO BODY AND SOFT SOLDER CABLE IN PLACE AS SHOWN.



STEP 2:  
PLACE TORLON SPACER ONTO CABLE CONDUCTOR & BOTTOM AGAINST CABLE DIELECTRIC/OUTER CONDUCTOR.

MATERIAL:	N/A	DIMENSIONS ARE IN INCHES TOLERANCES:	UNLESS OTHERWISE SPECIFIED	<p>Amphenol 2400 Centrepark West Drive, Suite 100 West Palm Beach, FL 33409</p>
FINISH:	N/A	FRACTIONAL: $\pm 1/64$ ANGULAR: X° $\pm 1'0$ " X"X' $\pm 15'$	1) ALL DIMENSIONS ARE AFTER PLATING. 2) BREAK CORNERS & EDGES .005 R. MAX. 3) CHAM. 1ST & LAST THREADS. 4) SURFACE ROUGHNESS 63 / MIL-STD-10. 5) DIA.'S ON COMMON CENTERS TO BE CONCENTRIC WITHIN .005 T.I.R. 6) REMOVE ALL BURRS	
SURFACE AREA:	N/A	DECIMAL: X $\pm .030$ .XX $\pm .010$ .XXX $\pm .005$	INTERPRET DIMENSIONS AND TOLERANCES PER ASME Y14.5M - 1994	TITLE:
	<b>PROPRIETARY</b>	THIRD ANGLE PROJECTION	DRAWN: JMC 02/13/08	<b>CABLE ASSEMBLY INSTRUCTIONS</b>
	THE INFORMATION CONTAINED IN THIS DRAWING IS THE SOLE PROPERTY OF SV MICROWAVE, INC. ANY REPRODUCTION IN PART OR AS A WHOLE WITHOUT THE WRITTEN PERMISSION OF SV MICROWAVE, INC IS PROHIBITED.		CHECKED: STW 02/13/08	SIZE: <b>B</b> CAGE CODE: <b>95077</b> DWG. NO.: <b>300-12-020</b>
1222-4005			APPROVED: STW 02/13/08	SCALE: 8:1 SHEET 1 OF 1
USED ON:			E.M. SIMULATION: N/A	