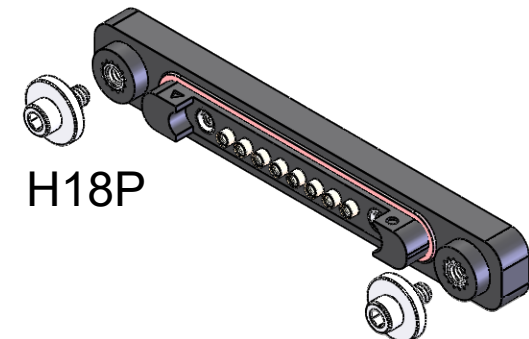
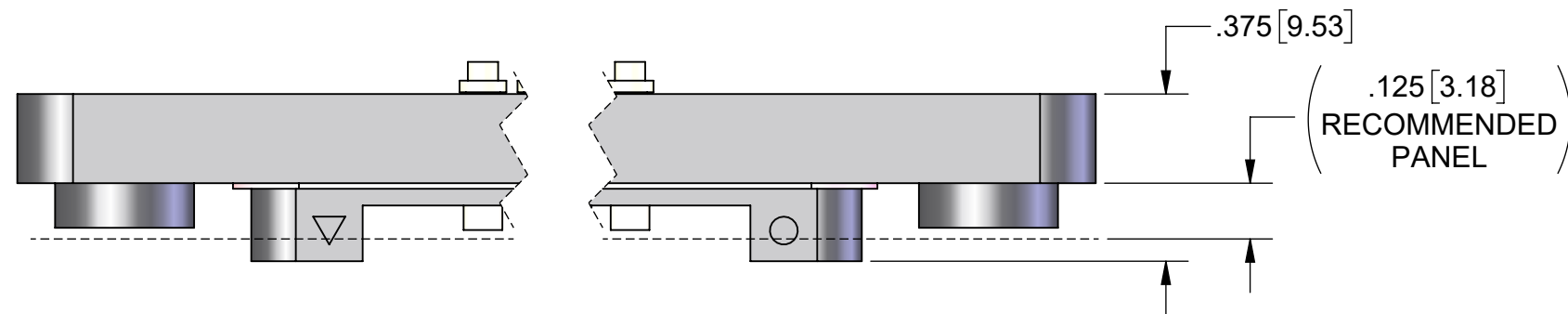
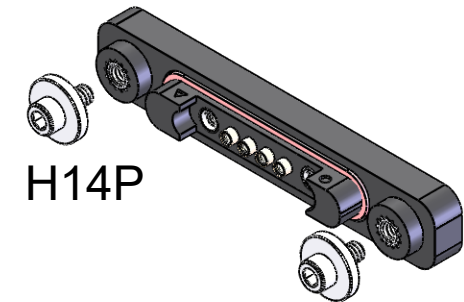
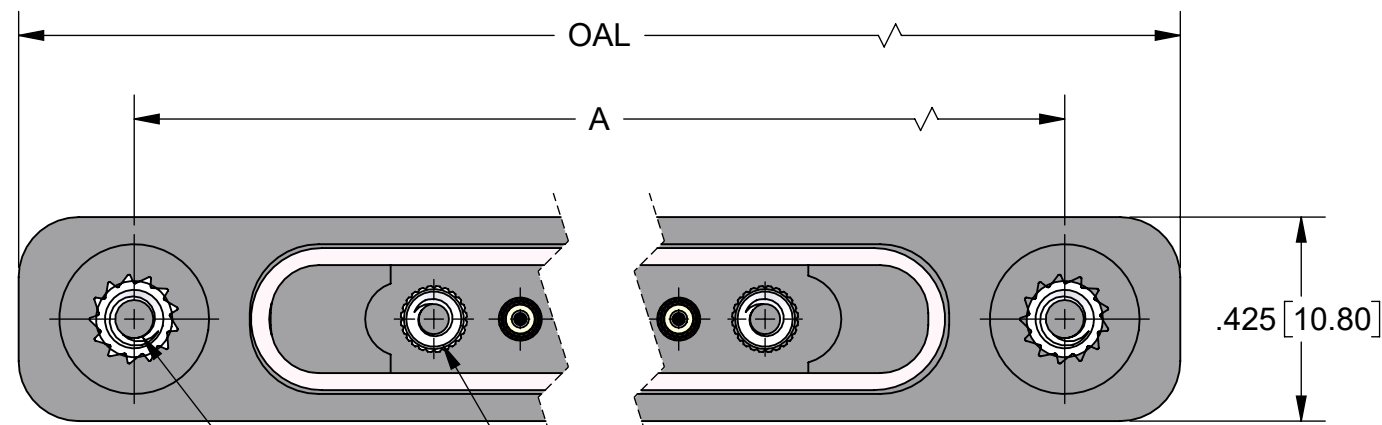


# PRODUCT DATA DRAWING

REVISION HISTORY			
REV	DESCRIPTION	DATE	APPROVED
-	DCN 53229	10/23	SEE PDM



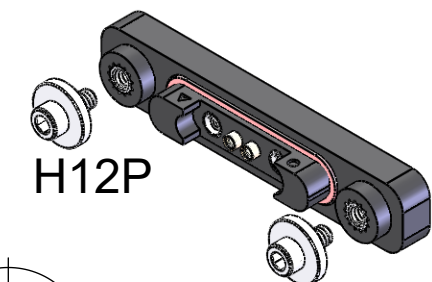
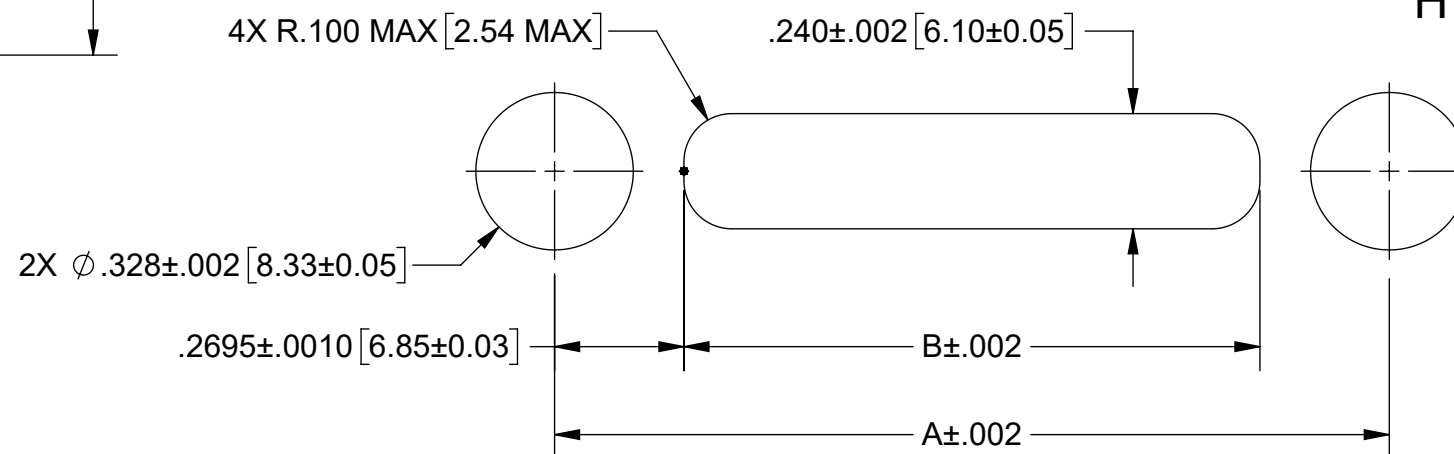
H18P



H14P

2X 2-56 UNC-2B MATING  
2X 4-40 UNC-2B MOUNTING NOTE 3

## RECOMMENDED PANEL CUTOUT



H12P

### NOTES:

1. PORT TO PORT SPACING: .130.
2. NOTE TRIANGLE AND CIRCLE DENOTE KEYING ORIENTATION AND WILL MATCH TO MATING PART H1XC.
3. MOUNTING SCREW AND WASHER HARDWARE NOT SHOWN FOR CLARITY.

### MATERIAL:

HOUSING: BLACK CARBON REINFORCED LCP  
 THREADED INSERTS: BRASS  
 GASKET: SILICONE RUBBER  
 SCREWS & WASHERS: 316 STAINLESS STEEL  
 SMPS CONTACT: 3811-40094

HUMBOLDT PN	PORTS	OAL	A	B
H12P	2	2.220	1.739	1.200
H14P	4	2.480	1.999	1.460
H18P	8	3.000	2.519	1.980

MATERIAL: SEE NOTES	DIMENSIONS ARE IN INCHES TOLERANCES: FRACTIONAL: ±1/64 ANGULAR: X° ±1'0" X°X' ±15'	UNLESS OTHERWISE SPECIFIED 1) ALL DIMENSIONS ARE IN INCHES (MILLIMETERS) 2) ALL DIMENSIONS ARE AFTER PLATING. 3) BREAK CORNERS & EDGES .005 R. MAX. 4) CHAM. 1ST & LAST THREADS. 5) SURFACE ROUGHNESS 63-MIL-STD-10. 6) DIA: 'S ON COMMON CENTERS TO BE CONCENTRIC WITHIN .005 T.I.R. 7) REMOVE ALL BURRS	 Amphenol www.svmicrowave.com
FINISH: SEE NOTES	DECIMAL: X ±.030 .XX ±.010 .XXX ±.005		
SURFACE AREA: N/A	INTERPRET DIMENSIONS AND TOLERANCES PER ASME Y14.5M - 1994	THIRD ANGLE PROJECTION	TITLE: HUMBOLDT PANEL MOUNT MULTIPORT FOR Ø.047 CABLE SIZE DWG. NO. B H1XP SCALE: 5:2 SHEET 1 OF 1
PROPRIETARY THE INFORMATION CONTAINED IN THIS DRAWING IS THE SOLE PROPERTY OF SV MICROWAVE, INC. ANY REPRODUCTION IN PART OR AS A WHOLE WITHOUT THE WRITTEN PERMISSION OF SV MICROWAVE, INC IS PROHIBITED.	DRAWN: DAL 10/27/23 CHECKED: SEE PDM APPROVED: SEE PDM		