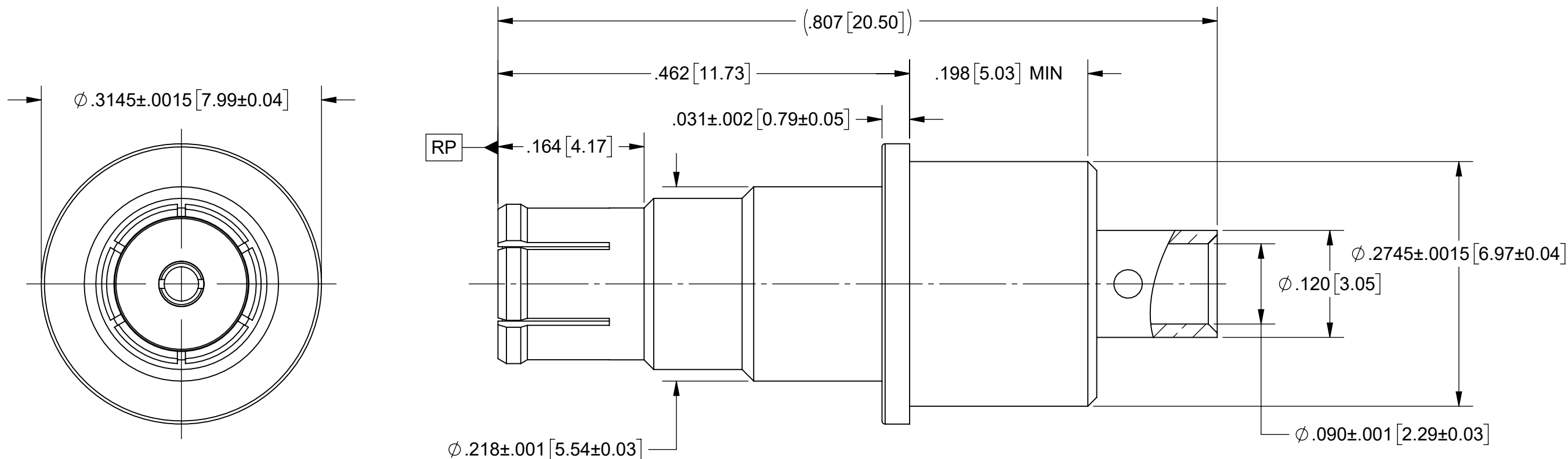


# PRODUCT DATA DRAWING

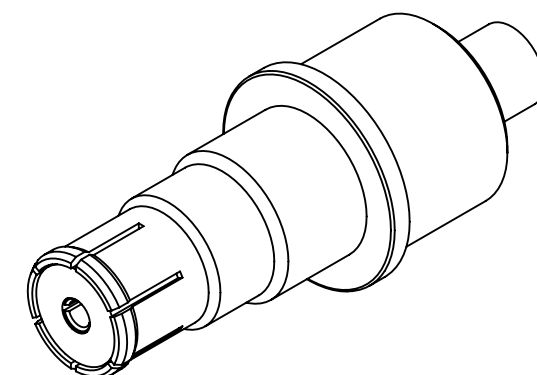
REVISION HISTORY			
REV	DESCRIPTION	DATE	APPROVED
-	REL. DCN 52320	02/13/23	SEE PDM


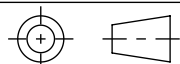


**MATERIAL:**  
**BODY & CONTACTS:** BERYLLIUM COPPER PER ASTM B196, ALLOY No. UNS C17300, TD04.  
**INSULATOR:** PTFE PER ASTM D1710, TYPE I, GRADE 1, CLASS B.  
**FINISH:**  
**BODY & CONTACT:** GOLD PER ASTM B488, TYPE II, CODE C, CLASS 1.27  
 OVER NICKEL PER AMS-QQ-N-290, CLASS 1, .000050" MIN.

**PERFORMANCE:**  
**IMPEDANCE:** 50 OHMS  
**FREQ. RANGE:** DC TO 22.0 GHz  
**VSWR:** 1.40:1 MAX GATED, MATED PAIR, DC TO 22.0 GHz

CONFORMS TO SOSA TECHNICAL STANDARD V2.0.



MATERIAL:	SEE NOTES	DIMENSIONS ARE IN INCHES TOLERANCES: FRACTIONAL: $\pm 1/64$ ANGULAR: X° $\pm 1'0''$ X°X' $\pm 15''$	UNLESS OTHERWISE SPECIFIED 1) ALL DIMENSIONS ARE IN INCHES (MILLIMETERS) 2) ALL DIMENSIONS ARE AFTER PLATING. 3) BREAK CORNERS & EDGES .005 R. MAX. 4) CHAM. 1ST & LAST THREADS. 5) SURFACE ROUGHNESS 63-MIL-STD-10. 6) DIA.'S ON COMMON CENTERS TO BE CONCENTRIC WITHIN T.I.R. 7) REMOVE ALL BURRS	 www.svmicrowave.com
FINISH:	SEE NOTES	DECIMAL: X $\pm .030$ .XX $\pm .010$ .XXX $\pm .005$	INTERPRET DIMENSIONS AND TOLERANCES PER ASME Y14.5M - 1994	TITLE: BMB SIZE 8 PIN CONTACT FOR 38999 & SOSA V2.0 RG405 CABLE
SURFACE AREA:	N/A	THIRD ANGLE PROJECTION 		SIZE DWG. NO. B 4941-60001
<b>PROPRIETARY</b> THE INFORMATION CONTAINED IN THIS DRAWING IS THE SOLE PROPERTY OF SV MICROWAVE, INC. ANY REPRODUCTION IN PART OR AS A WHOLE WITHOUT THE WRITTEN PERMISSION OF SV MICROWAVE, INC IS PROHIBITED.		DRAWN:	JMC 02/09/23	SCALE: 8:1
		CHECKED:	SEE PDM	SHEET 1 OF 1
		APPROVED:	SEE PDM	