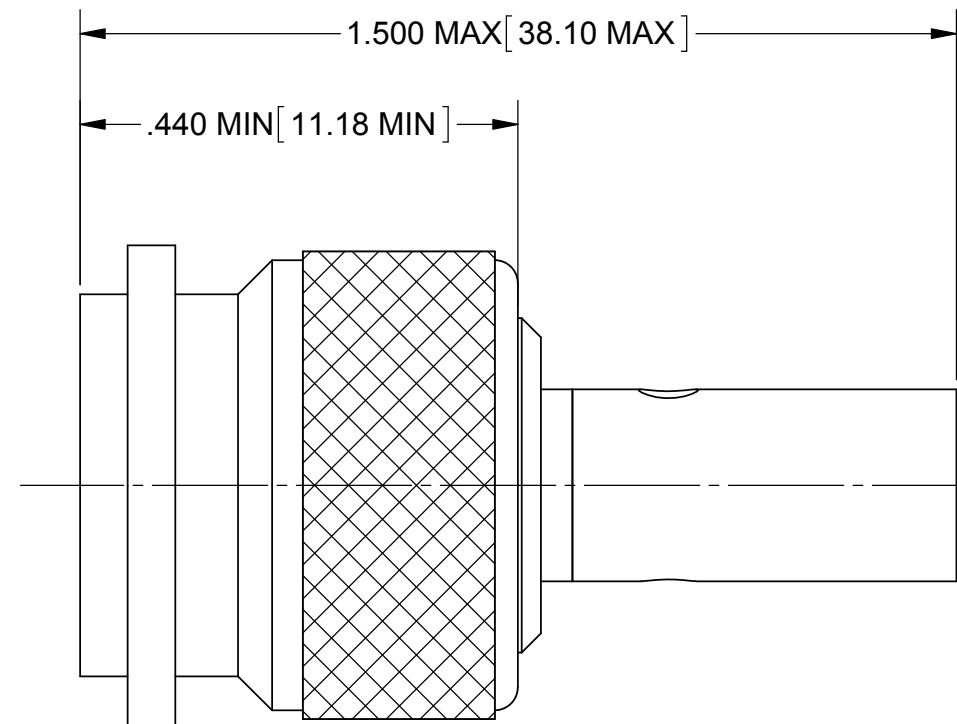
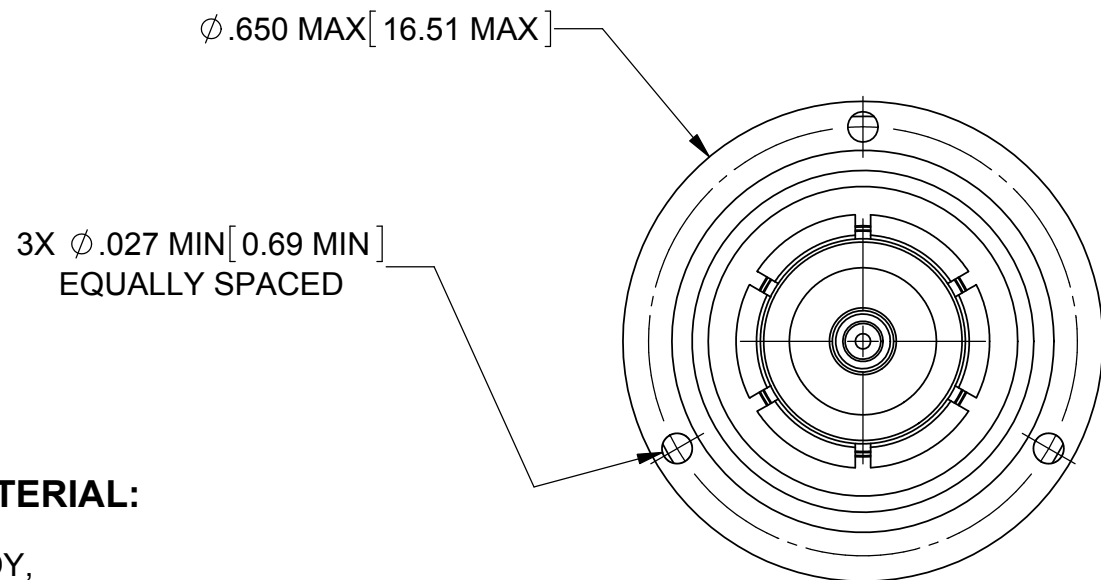


# PRODUCT DATA DRAWING

REVISION HISTORY			
REV	DESCRIPTION	DATE	APPROVED
-	DCN 40089	09/13	STW



**MATERIAL:**

BODY,  
CENTER CONTACT,  
COUPLING NUT &  
CRIMP SLEEVE:

BRASS PER ASTM B16, ALLOY UNS No. C36000

OUTER  
CONTACT:

BERYLLIUM COPPER PER ASTM B194,  
ALLOY No. UNS C17200

INSULATOR:

PTFE PER ASTM D1710, TYPE I, GRADE 1, CLASS B

GASKET:

SILICONE RUBBER PER A-A-59588,  
CLASS 2B, GRADE 50/60

LOCK RING:

PHOSPHOR BRONZE PER ASTM B-159

**FINISH:**

BODY,  
OUTER CONTACT,  
COUPLING NUT &  
CRIMP SLEEVE:

SILVER PER ASTM B700, .0002" MIN.

CONTACT:

GOLD PER ASTM B488, TYPE II,  
CODE C, CLASS 1.27, OVER NICKEL  
PER AMS-QQ-N-290, CLASS 1, .00005" MIN.

**PERFORMANCE:**

IMPEDANCE: 50 OHMS  
FREQ. RANGE: DC TO 11.0 GHz  
VSWR: 1.30:1 MAX

MATERIAL: SEE NOTES	DIMENSIONS ARE IN INCHES TOLERANCES: FRACTIONAL: ±1/64 ANGULAR: X° ±1'0" X"X' ±15'	UNLESS OTHERWISE SPECIFIED 1) ALL DIMENSIONS ARE IN INCHES (MILLIMETERS) 2) ALL DIMENSIONS ARE AFTER PLATING. 3) BREAK CORNERS & EDGES .005 R. MAX. 4) CHAM. 1ST & LAST THREADS. 5) SURFACE ROUGHNESS 63-MIL-STD-10. 6) DIA. 'S ON COMMON CENTERS TO BE CONCENTRIC WITHIN .005 T.I.R. 7) REMOVE ALL BURRS	<b>SV Microwave, Inc.</b> www.svmicrowave.com	
FINISH: SEE NOTES	DECIMAL: X ±.030 .XX ±.010 .XXX ±.005	INTERPRET DIMENSIONS AND TOLERANCES PER ASME Y14.5M - 1994	TITLE: TNC PLUG CRIMP ON FOR RG-142 AND RG-400 CABLE	
SURFACE AREA: N/A	THIRD ANGLE PROJECTION	DRAWN: FSG 09/26/13	SIZE B	DWG. NO. M39012/26B0006
PROPRIETARY THE INFORMATION CONTAINED IN THIS DRAWING IS THE SOLE PROPERTY OF SV MICROWAVE, INC. ANY REPRODUCTION IN PART OR AS A WHOLE WITHOUT THE WRITTEN PERMISSION OF SV MICROWAVE, INC IS PROHIBITED.		CHECKED: STW 09/26/13	SCALE: 4:1	SHEET 1 OF 1
		APPROVED: STW 09/26/13		