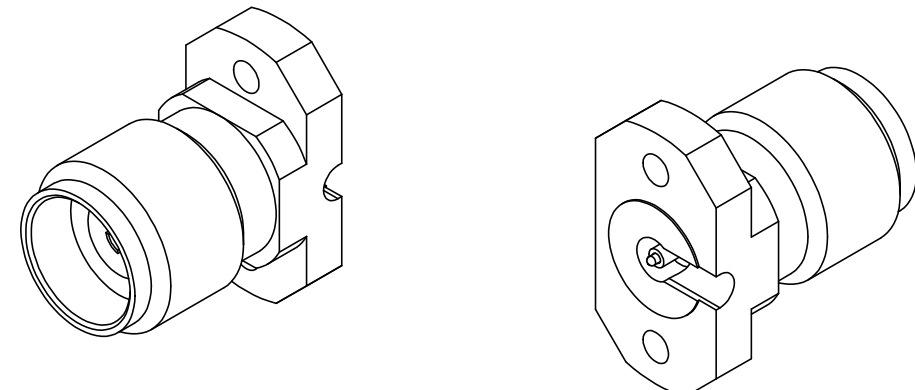
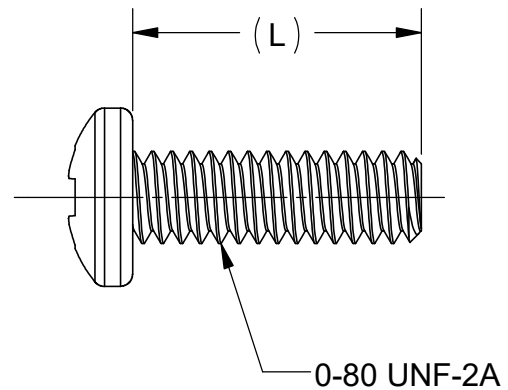
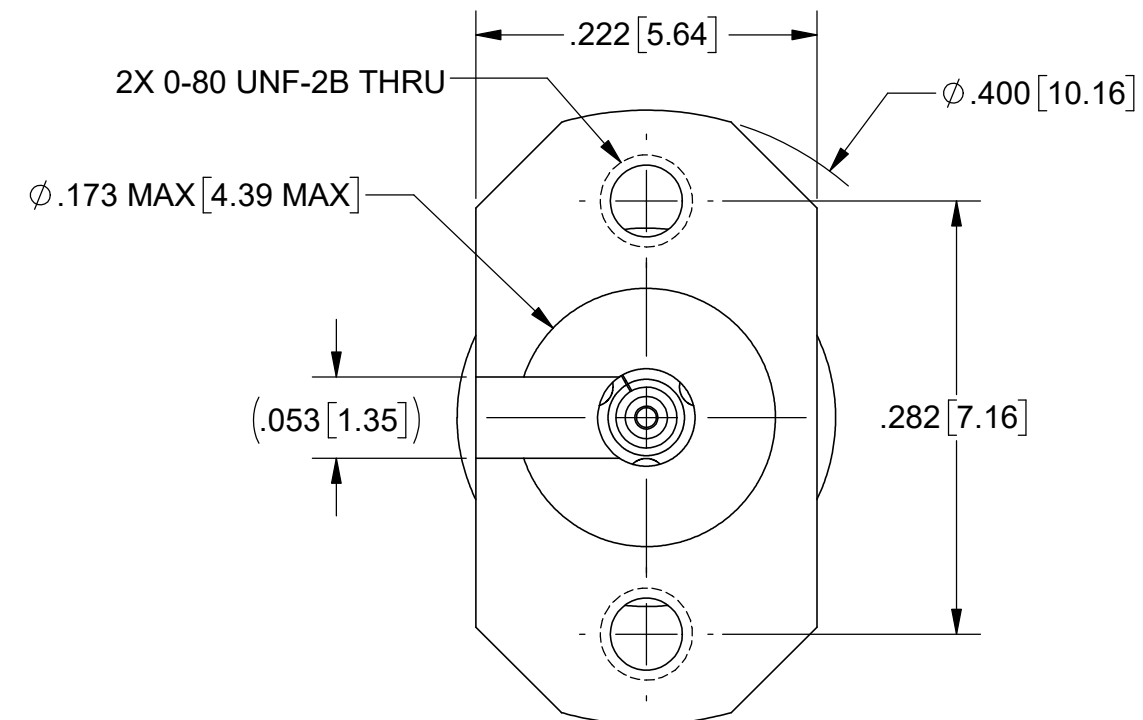
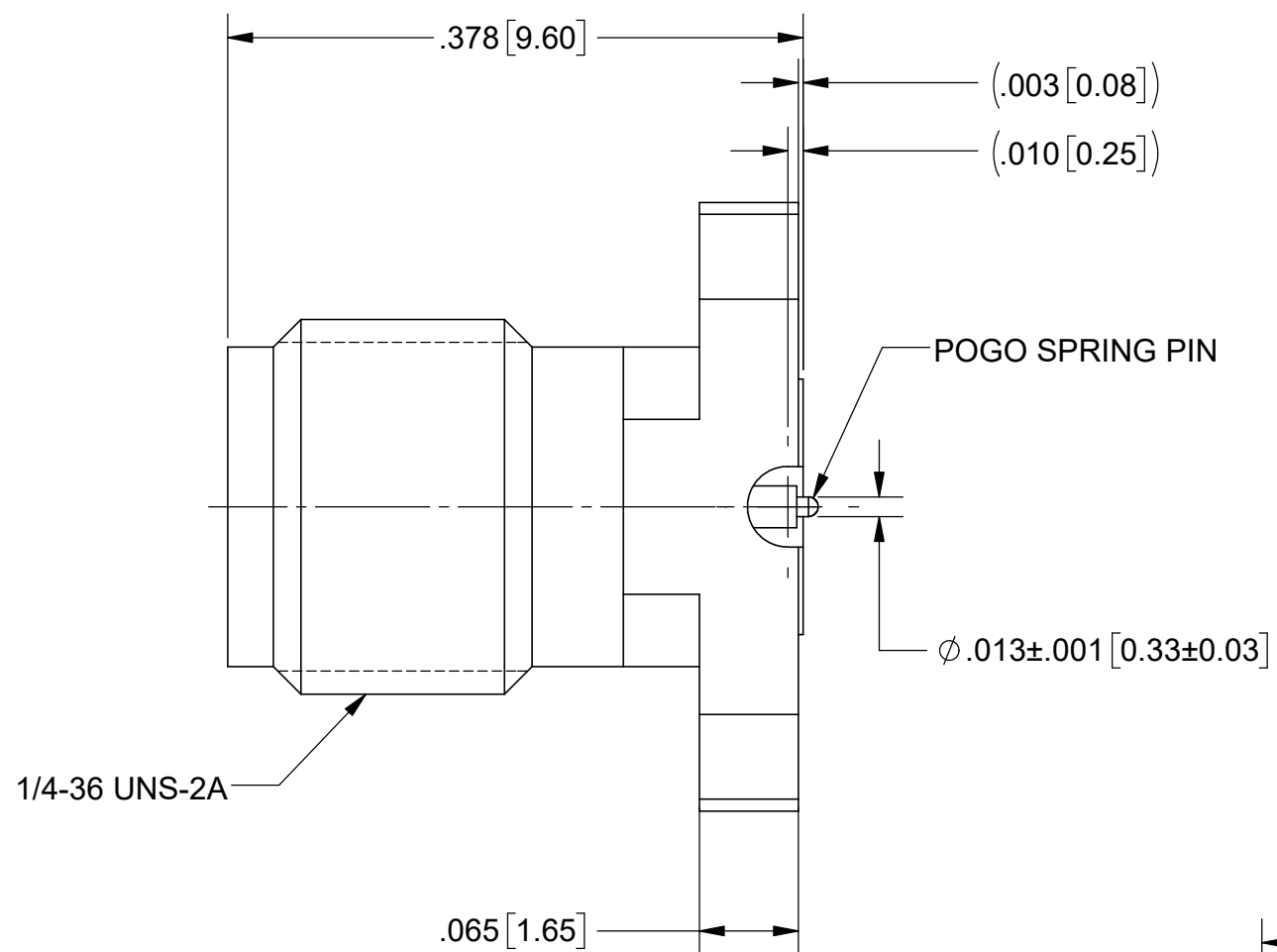


PRODUCT DATA DRAWING

REVISION HISTORY			
REV	DESCRIPTION	DATE	APPROVED
-	DCN 47331	04/13	JMS
A	REV. DCN 47446	05/11/18	STW
B	DCN 50101	08/20	BNK



MATERIAL:

BODY & INSERT: STAINLESS STEEL
 CONTACT: BERYLLIUM COPPER
 INSULATOR: PEI (ULTEM 1000)
 SCREWS: 300 SERIES STAINLESS STEEL.

FINISH:

BODY, INSERT & SCREWS: PASSIVATED
 CONTACT: GOLDOVER NICKEL
 PERFORMANCE:
 IMPEDANCE: 50 OHMS
 FREQ. RANGE: DC TO 40.0 GHz

SV P/N	DESCRIPTION	PCB THICKNESS	(L)
SF1521-60115-1S	INCL. 2 EA (.188) SCREWS	.016 TO .123	.188
SF1521-60115-2S	INCL. 2 EA (.250) SCREWS	.078 TO .185	.250
SF1521-60115-3S	INCL. 2 EA (.438) SCREWS	.266 TO .373	.438
SF1521-60115	NO SCREWS	.005 TO .373	N/A

MATERIAL: SEE NOTES	DIMENSIONS ARE IN INCHES TOLERANCES: FRACTIONAL: ±1/64 ANGULAR: X° ±1'0" X'X' ±15'	UNLESS OTHERWISE SPECIFIED 1) ALL DIMENSIONS ARE IN INCHES (MILLIMETERS) 2) ALL DIMENSIONS ARE AFTER PLATING 3) BREAK CORNERS & EDGES .005 R. MAX. 4) CHAM. 1ST & LAST THREADS. 5) SURFACE ROUGHNESS 63-MIL-STD-10. 6) DIA. 'S' ON COMMON CENTERS TO BE CONCENTRIC WITHIN T.I.R. 7) REMOVE ALL BURRS	 www.svmicrowave.com TITLE: 2.92mm FEMALE 2 HOLE LITE-TOUCH FLANGE MOUNT
FINISH: SEE NOTES	DECIMAL: X ±.030 .XX ±.010 .XXX ±.005		
SURFACE AREA: N/A	INTERPRET DIMENSIONS AND TOLERANCES PER ASME Y14.5M - 1994	DRAWN: VB 04/02/18	SIZE B DWG. NO. SF1521-60115-XS SCALE: 8:1 SHEET 1 OF 1
PROPRIETARY THE INFORMATION CONTAINED IN THIS DRAWING IS THE SOLE PROPERTY OF SV MICROWAVE, INC. ANY REPRODUCTION IN PART OR AS A WHOLE WITHOUT THE WRITTEN PERMISSION OF SV MICROWAVE, INC IS PROHIBITED.	THIRD ANGLE PROJECTION	CHECKED: JMS 04/02/18 APPROVED: JMS 04/02/18	