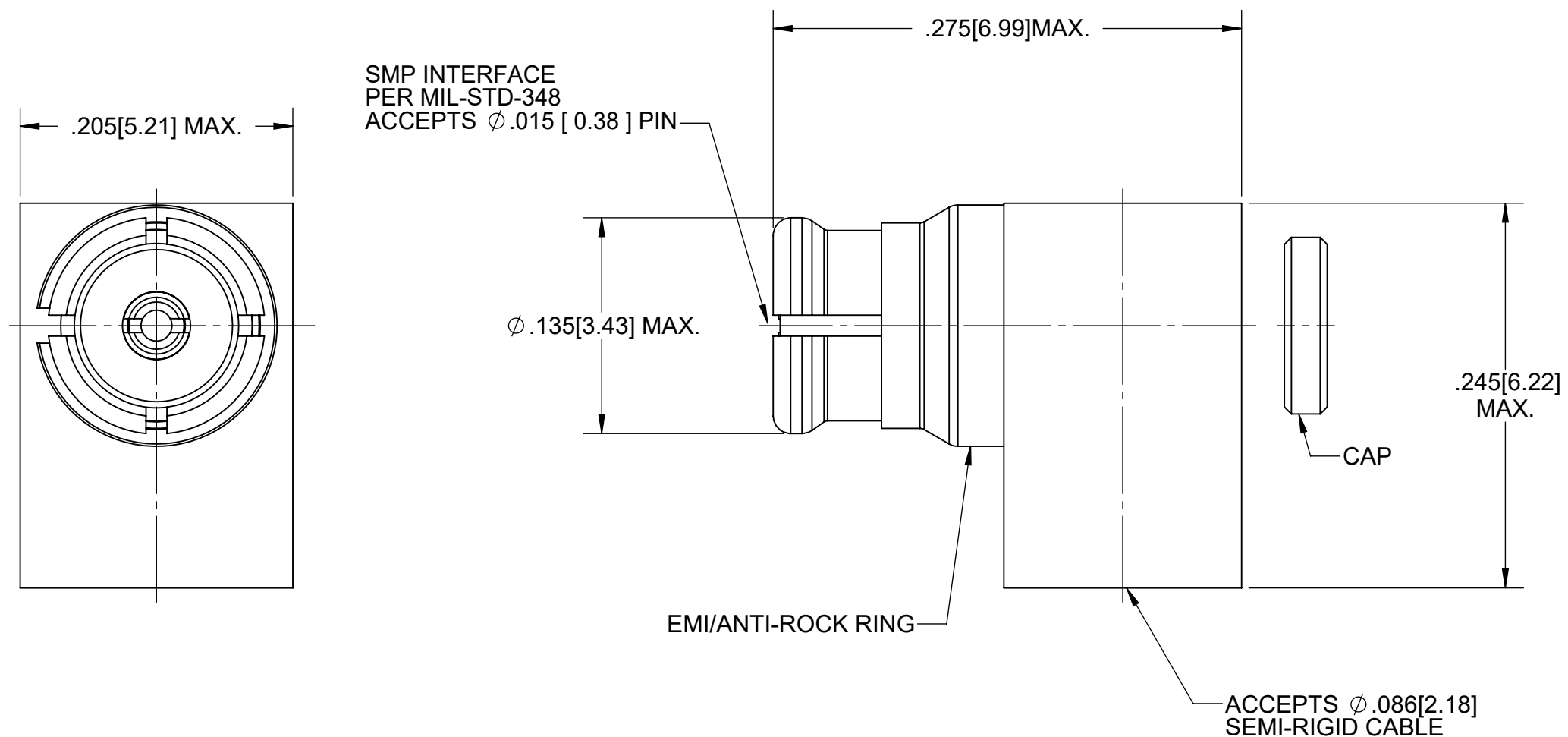


PRODUCT DATA DRAWING

REVISION HISTORY			
REV	DESCRIPTION	DATE	APPROVED
D	DCN 55111	08/28	SEE PDM



MATERIALS;

BODY, CONTACT,
EMI-RING, CAP &
ANTI-ROCK RING: BERYLLIUM COPPER PER ASTM B196
INSULATOR: PTFE PER ASTM D1710


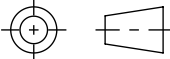
FINISHES:

BODY, CONTACT,
EMI-RING, CAP &
ANTI-ROCK RING: GOLD PER MIL-DTL-45204, TYPE II
GRADE C, CLASS 1, OVER NICKEL
PER AMS-QQ-N-290, CLASS 1 .000050 MIN.

ELECTRICAL:

IMPEDANCE: 50 OHMS
FREQ. RANGE: DC TO 26.5 GHZ
D.W.V.: 500 VOLTS DC
INSULATION RES.: 5,000 MEGOHMS MINIMUM

DIMENSIONS ARE IN INCHES WITH METRIC EQUIVALENTS IN BRACKETS [].

MATERIAL: SEE NOTES	DIMENSIONS ARE IN INCHES TOLERANCES: FRACTIONAL: ±1/64 ANGULAR: X° ±1'0" X°X' ±15'	UNLESS OTHERWISE SPECIFIED 1) ALL DIMENSIONS ARE IN INCHES (MILLIMETERS) 2) ALL DIMENSIONS ARE AFTER PLATING. 3) BREAK CORNERS & EDGES .005 R. MAX. 4) CHAM. 1ST & LAST THREADS. 5) SURFACE ROUGHNESS 63-MIL-STD-10. 6) DIA.'S ON COMMON CENTERS TO BE CONCENTRIC WITHIN .005 T.I.R. 7) REMOVE ALL BURRS	 <p>Amphenol www.svmicrowave.com</p>
FINISH: SEE NOTES	DECIMAL: X ±.030 .XX ±.010 .XXX ±.005	INTERPRET DIMENSIONS AND TOLERANCES PER ASME Y14.5M - 1994	
SURFACE AREA: N/A	THIRD ANGLE PROJECTION	DRAWN: JMC 04/16/04	TITLE: SMP FEMALE R/A FOR Ø.086 S.R. CABLE
<p>PROPRIETARY</p> <p>THE INFORMATION CONTAINED IN THIS DRAWING IS THE SOLE PROPERTY OF SV MICROWAVE, INC. ANY REPRODUCTION IN PART OR AS A WHOLE WITHOUT THE WRITTEN PERMISSION OF SV MICROWAVE, INC IS PROHIBITED.</p>		CHECKED: SEE PDM	SIZE DWG. NO. B 1214-4001
		APPROVED: SEE PDM	SCALE: 4:1 SHEET 1 OF 1