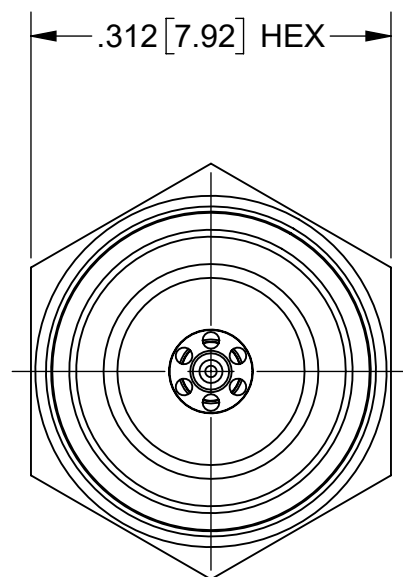
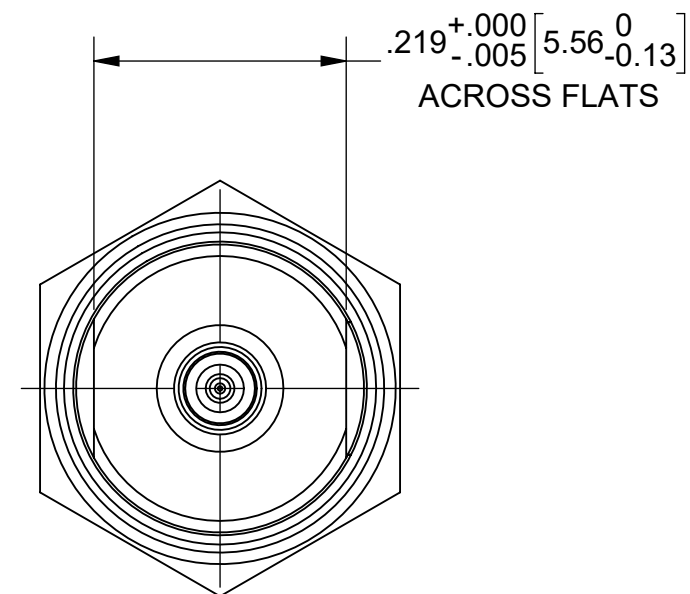
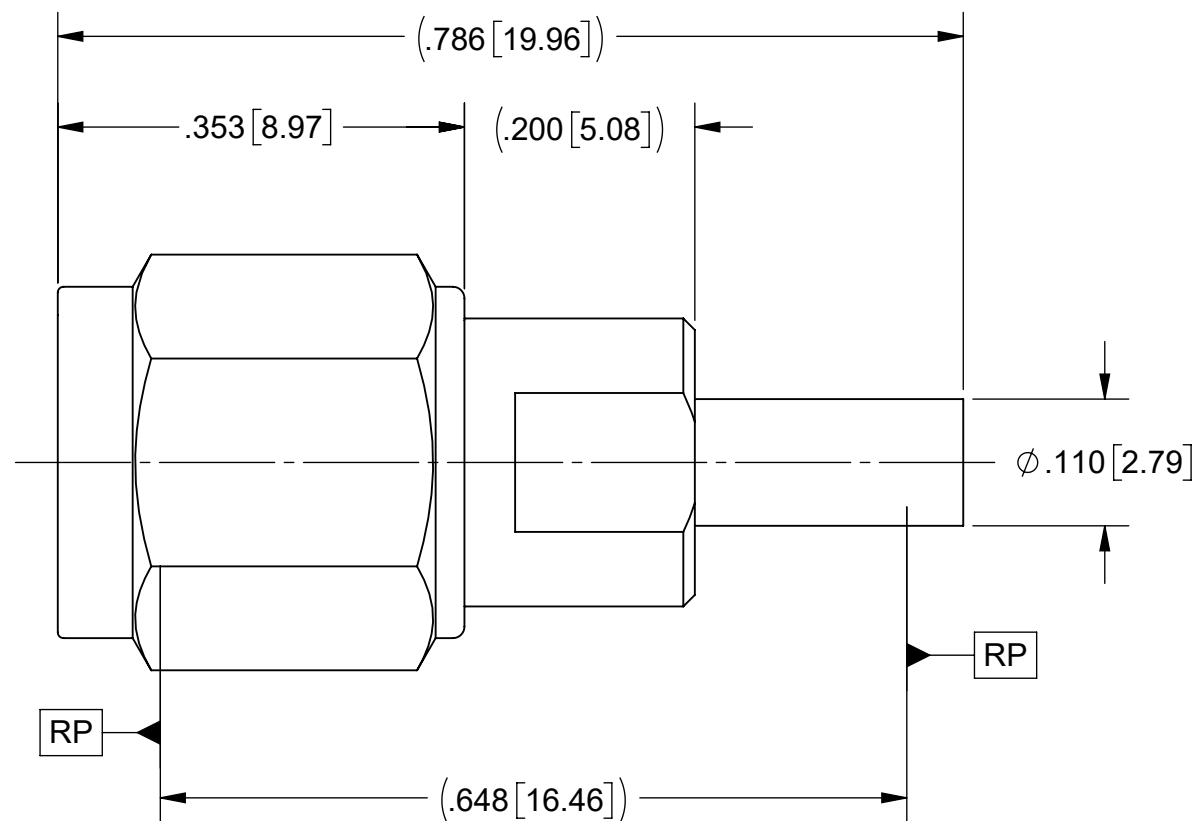


PRODUCT DATA DRAWING

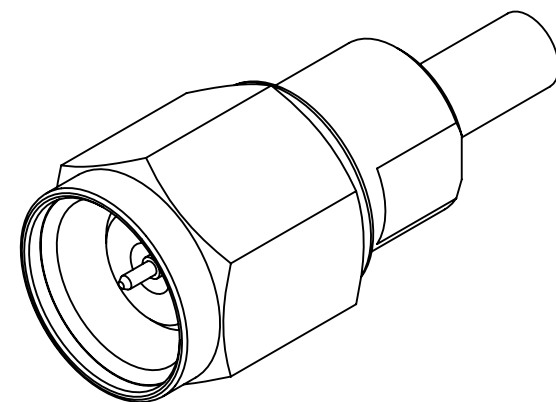
REVISION HISTORY			
REV	DESCRIPTION	DATE	APPROVED
-	DCN 55436	10/24	SEE PDM



.312 [7.92] HEX



.219^{+0.000}_{-.005} [5.56⁰_{-0.13}]
ACROSS FLATS



MATERIAL:

BODY, INSERT & COUPLING NUT:

STAINLESS STEEL PER AMS-5640, ALLOY UNS S30300, TYPE 1, OR ASTM A582, TYPE 303, CONDITION A.

LOCK RING & CONTACT:

BERYLLIUM COPPER PER ASTM B196, ALLOY No. UNS C17300, TD04.

INSULATOR:

PTFE PER ASTM D1710, TYPE I, GRADE 1, CLASS B.

BEAD:

ULTEM 1000

GASKET:

SILICONE RUBBER PER A-A-59588, CLASS 2B, GRADE 60 OR 70.

FINISH:

BODY, INSERT & COUPLING NUT:

PASSIVATED PER AMS-2700.

CONTACT:

GOLD PER ASTM B488, TYPE II, CODE C, CLASS 1.27, OVER NICKEL PER AMS-QQ-N-290, CLASS 1, .00005" MIN.

PERFORMANCE:

IMPEDANCE: 50 OHMS
FREQ. RANGE: DC TO 65.0 GHz

P/N	SMPS INTERFACE DETENT
1138-6047	SMOOTH BORE
1138-6048	FULL DETENT

MATERIAL: SEE NOTES	DIMENSIONS ARE IN INCHES TOLERANCES: FRACTIONAL: ±1/64 ANGULAR: X° ±1'0" X'X' ±15'	UNLESS OTHERWISE SPECIFIED 1) ALL DIMENSIONS ARE IN INCHES (MILLIMETERS) 2) ALL DIMENSIONS ARE AFTER PLATING. 3) BREAK CORNERS & EDGES .005 R. MAX. 4) CHAM. 1ST & LAST THREADS. 5) SURFACE ROUGHNESS 63-MIL-STD-10. 6) DIA.'S ON COMMON CENTERS TO BE CONCENTRIC WITHIN .005 T.I.R. 7) REMOVE ALL BURRS	 www.svmicrowave.com TITLE: SMPS MALE TO 1.85mm MALE STRAIGHT ADAPTER SIZE DWG. NO. B 1138-6047-6048 SCALE: 6:1 SHEET 1 OF 1
FINISH: SEE NOTES	DECIMAL: X ±.030 .XX ±.010 .XXX ±.005		
SURFACE AREA: N/A	INTERPRET DIMENSIONS AND TOLERANCES PER ASME Y14.5M - 1994	DRAWN: SJ 10/08/24	APPROVED: SEE PDM
<p>PROPRIETARY</p> <p>THE INFORMATION CONTAINED IN THIS DRAWING IS THE SOLE PROPERTY OF SV MICROWAVE, INC. ANY REPRODUCTION IN PART OR AS A WHOLE WITHOUT THE WRITTEN PERMISSION OF SV MICROWAVE, INC IS PROHIBITED.</p>	THIRD ANGLE PROJECTION	CHECKED: SEE PDM	