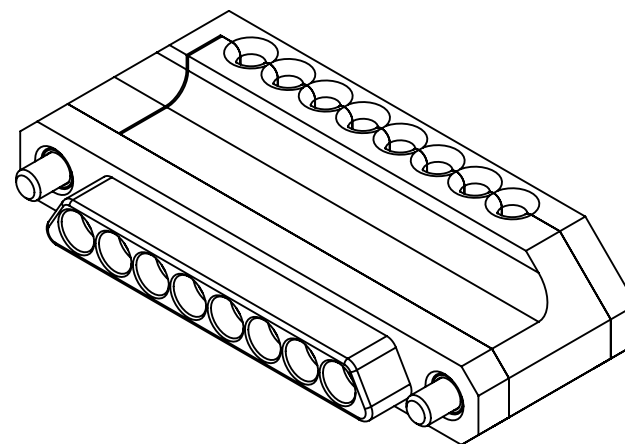
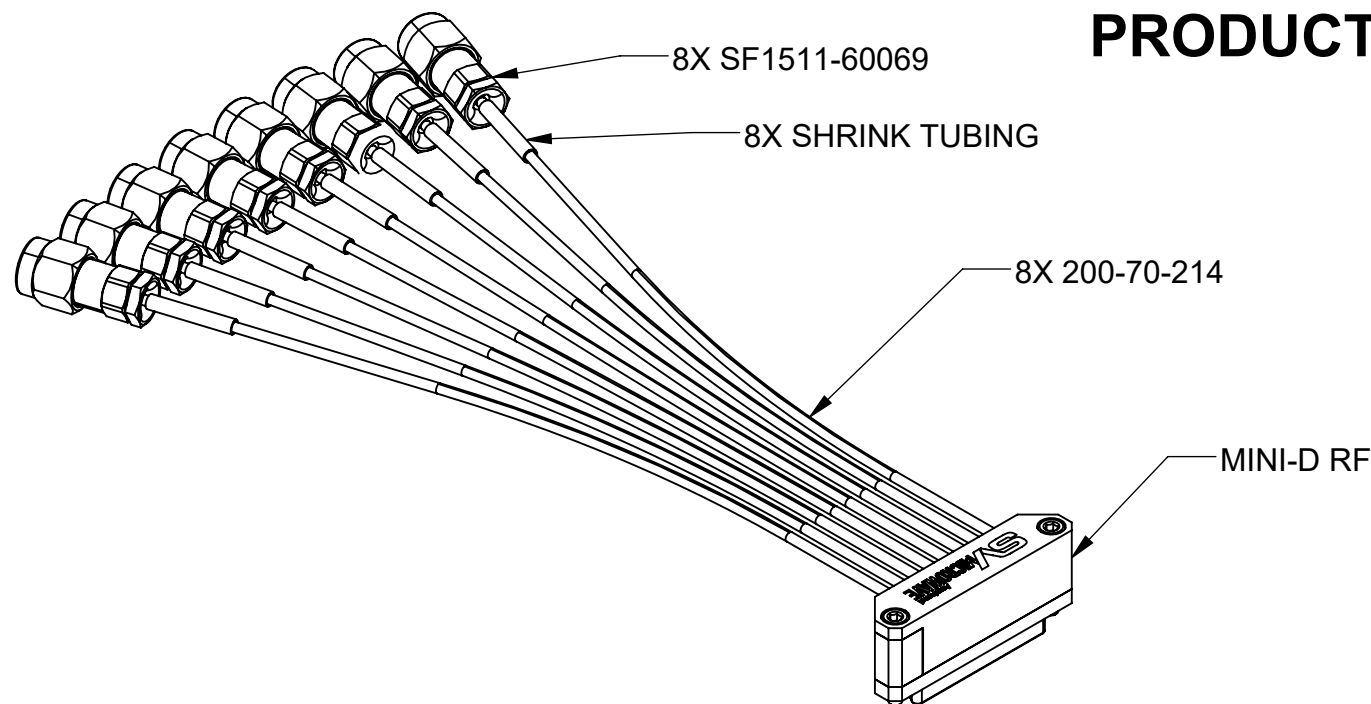
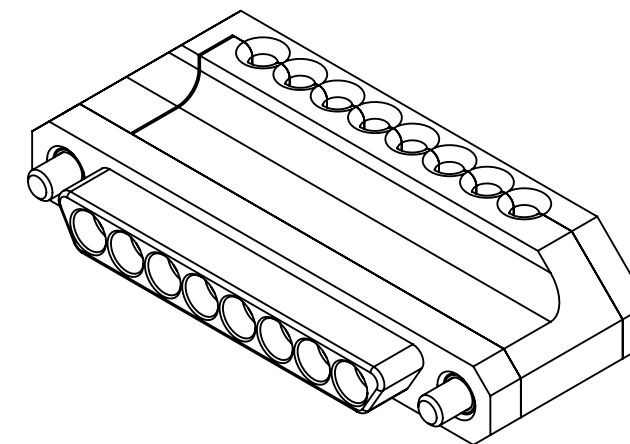


PRODUCT DATA DRAWING

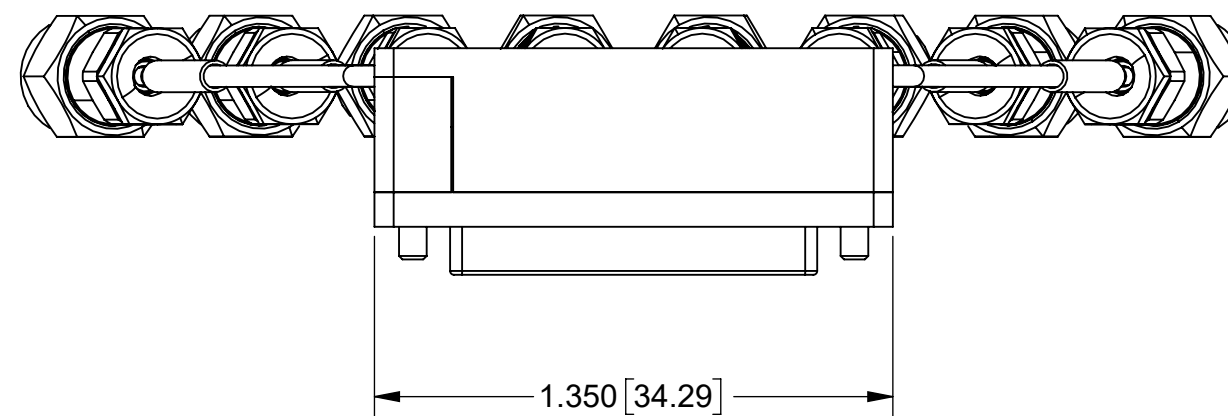
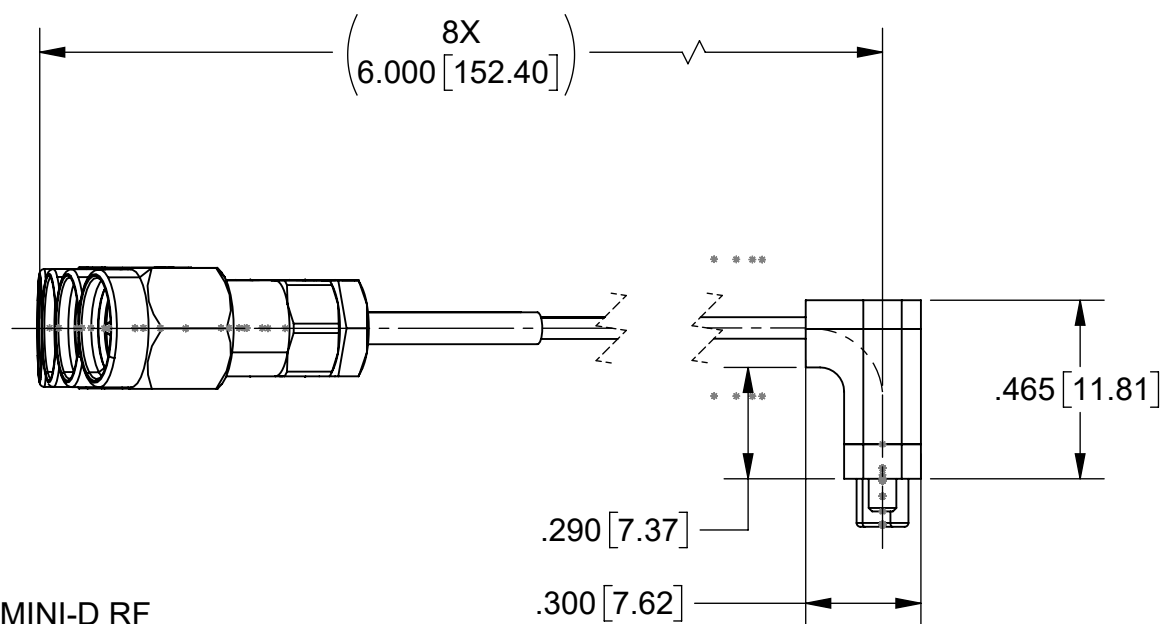
REVISION HISTORY			
REV	DESCRIPTION	DATE	APPROVED
-	DCN 48809	12/24	SEE PDM



-1 ORIENTATION



-2 ORIENTATION



MATERIAL:

- CONNECTORS: MINI-D RF
8X 2.92mm MALE (SF1511-60069)
- CABLE: STANDARD .047 FLEXTRA CABLE (200-70-214)
- SHRINK TUBING: M23053/5

PERFORMANCE:

- IMPEDANCE: 50 OHMS
- FREQ. RANGE: DC TO 40.0 GHz.

- NOTES:
- SEE ORIENTATION VIEWS FOR PART NUMBER SELECTION. NOTE D-SUB ORIENTATION RELATIVE TO CABLE EXIT. REPLACE -X IN PART NUMBER WITH -1 OR -2.
 - DESIGNED TO MATE TO SV MDRF MALE CONNECTORS 9311-60112, 9311-60128, 7038-0723, AND SIMILAR.

MATERIAL: SEE NOTES	DIMENSIONS ARE IN INCHES TOLERANCES: FRACTIONAL: $\pm 1/64$ ANGULAR: X° $\pm 1'0''$ X°X' $\pm 15''$	UNLESS OTHERWISE SPECIFIED 1) ALL DIMENSIONS ARE IN INCHES (MILLIMETERS) 2) ALL DIMENSIONS ARE AFTER PLATING. 3) BREAK CORNERS & EDGES .005 R. MAX. 4) CHAM. 1ST & LAST THREADS. 5) SURFACE ROUGHNESS 63-MIL-STD-10. 6) DIA.'S ON COMMON CENTERS TO BE CONCENTRIC WITHIN .005 T.I.R. 7) REMOVE ALL BURRS	 TITLE: 8-PORT R/A MDRF TO 2.92mm MALE STD FLEXTRA CABLE HARNESS
FINISH: SEE NOTES	DECIMAL: X $\pm .030$.XX $\pm .010$.XXX $\pm .005$	INTERPRET DIMENSIONS AND TOLERANCES PER ASME Y14.5M - 1994	
SURFACE AREA: N/A	THIRD ANGLE PROJECTION	DRAWN: JPM 12/12/24	SIZE DWG. NO. B 7038-0758-X
PROPRIETARY THE INFORMATION CONTAINED IN THIS DRAWING IS THE SOLE PROPERTY OF SV MICROWAVE, INC. ANY REPRODUCTION IN PART OR AS A WHOLE WITHOUT THE WRITTEN PERMISSION OF SV MICROWAVE, INC IS PROHIBITED.		CHECKED: SEE PDM	SCALE: 2:1
		APPROVED: SEE PDM	SHEET 1 OF 1