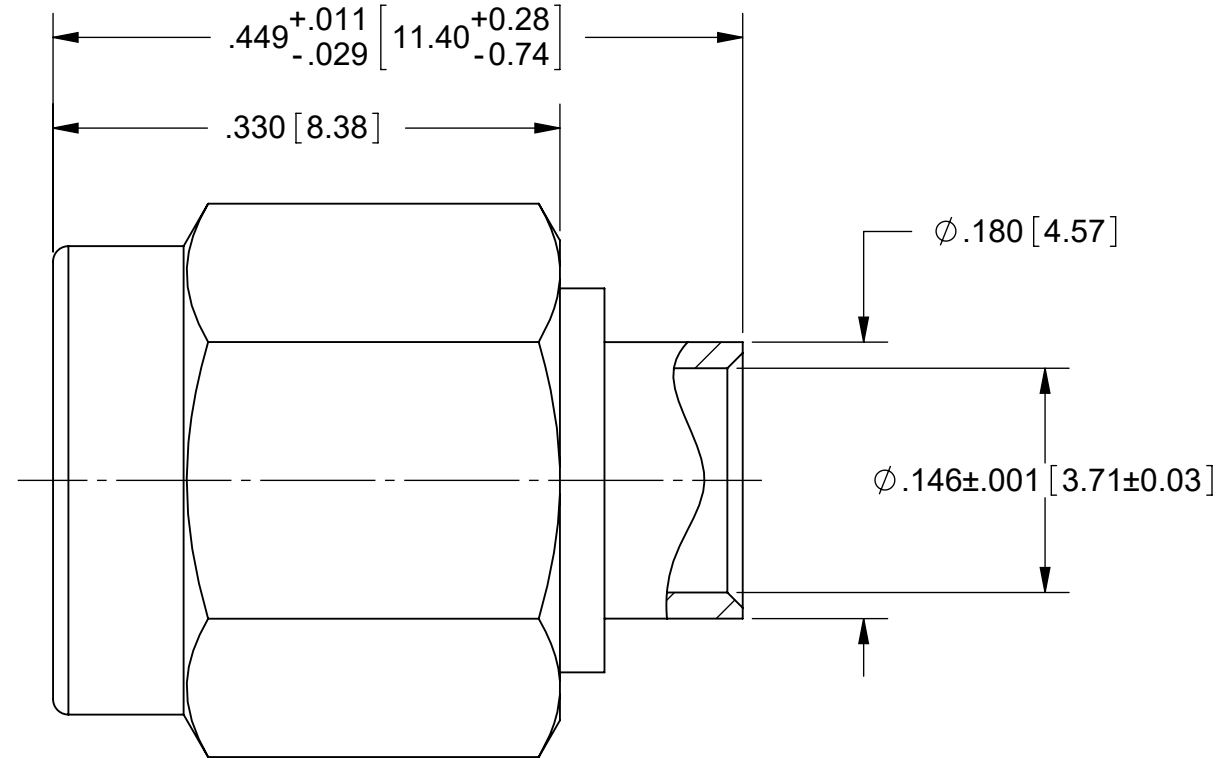
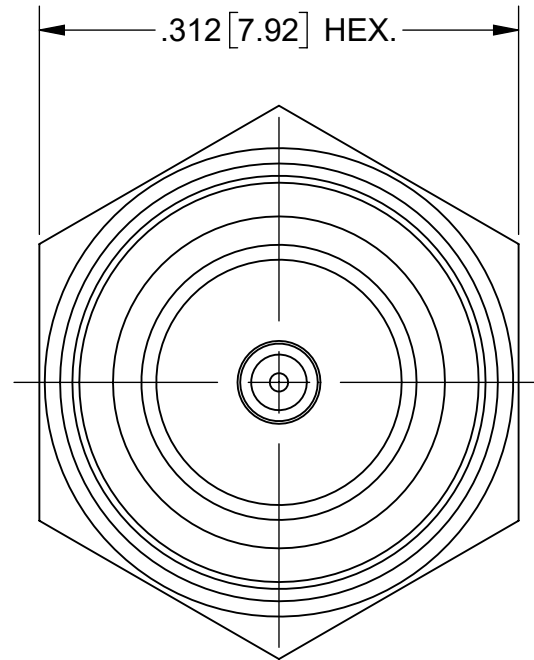
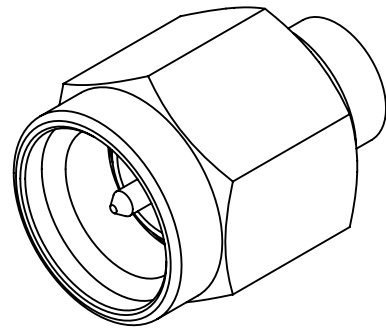


# PRODUCT DATA DRAWING

REVISION HISTORY			
REV	DESCRIPTION	DATE	APPROVED
D	DCN 56044	12/24	SEE PDM



## MATERIAL:

- BODY, COUPLING NUT:** STAINLESS STEEL PER AMS-5640, ALLOY UNS S30300, TYPE 1
- CONTACT:** BRASS PER ASTM B16, ALLOY UNS No. C36000
- LOCK RING:** BERYLLIUM COPPER PER ASTM B196 OR B197, ALLOY No. UNS C17300, TD04
- INSULATOR:** PTFE PER ASTM D1710, TYPE I, GRADE 1, CLASS B
- GASKET:** SILICONE RUBBER PER A-A-59588, CLASS 2B, GRADE 60/70


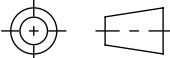
## FINISH:

- BODY & CONTACT:** GOLD PER ASTM B 488, TYPE II, CODE C, CLASS 0.76, OVER NICKEL PER AMS-QQ-N-290, CLASS 1, .00010" MIN.

- COUPLING NUT:** PASSIVATED PER AMS-2700

## PERFORMANCE:

- IMPEDANCE:** 50 OHMS
- FREQ. RANGE:** DC TO 18.0 GHZ

<b>MATERIAL:</b> SEE NOTES	<b>DIMENSIONS ARE IN INCHES TOLERANCES:</b> FRACTIONAL: ±1/64 ANGULAR: X° ±1'0" X'X' ±15'	<b>UNLESS OTHERWISE SPECIFIED</b> 1) ALL DIMENSIONS ARE IN INCHES (MILLIMETERS) 2) ALL DIMENSIONS ARE AFTER PLATING. 3) BREAK CORNERS & EDGES .005 R. MAX. 4) CHAM. 1ST & LAST THREADS. 5) SURFACE ROUGHNESS 63-MIL-STD-10. 6) DIA: 'S ON COMMON CENTERS TO BE CONCENTRIC WITHIN .005 T.I.R. 7) REMOVE ALL BURRS	 www.svmicrowave.com <b>TITLE:</b> SMA SOLDER ON PLUG FOR Ø .141 S.R. CABLE
<b>FINISH:</b> SEE NOTES	DECIMAL: X ±.030 .XX ±.010 .XXX ±.005  INTERPRET DIMENSIONS AND TOLERANCES PER ASME Y14.5M - 1994	DRAWN: BRT 04/04/97 CHECKED: SEE PDM APPROVED: SEE PDM	
<b>SURFACE AREA:</b> N/A	<b>THIRD ANGLE PROJECTION</b>		<b>SIZE DWG. NO.</b> B SF2902-6005 SCALE: 8:1
<b>PROPRIETARY</b> THE INFORMATION CONTAINED IN THIS DRAWING IS THE SOLE PROPERTY OF SV MICROWAVE, INC. ANY REPRODUCTION IN PART OR AS A WHOLE WITHOUT THE WRITTEN PERMISSION OF SV MICROWAVE, INC IS PROHIBITED.			SHEET 1 OF 1