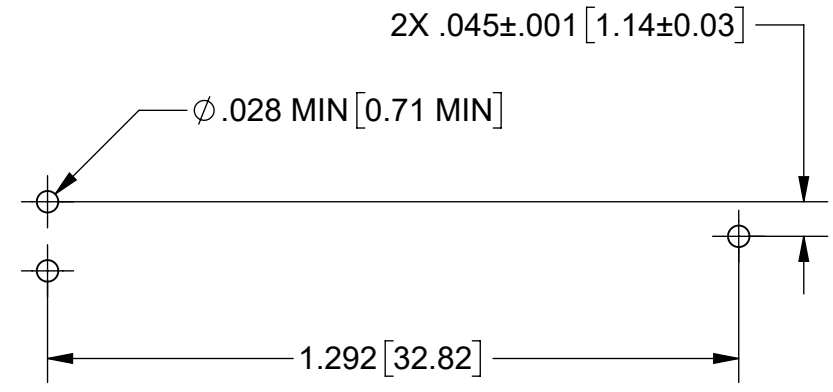
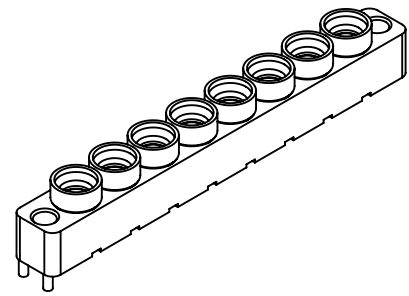
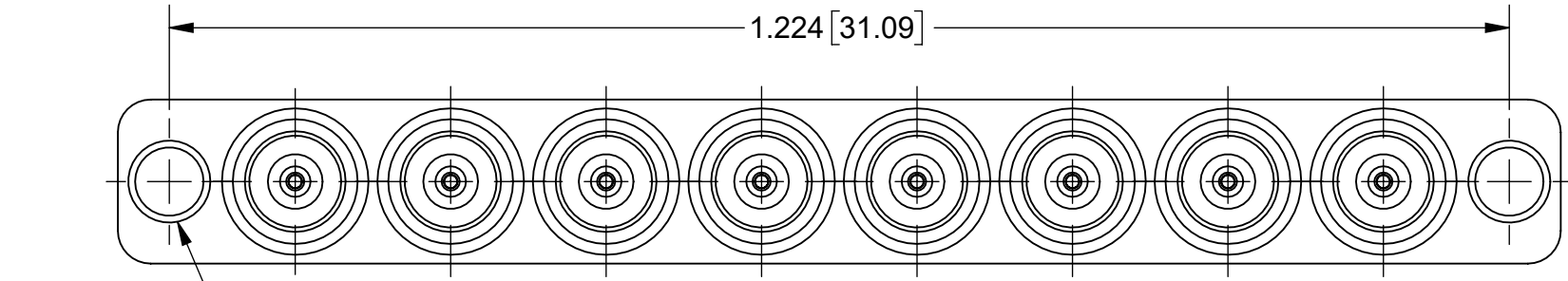
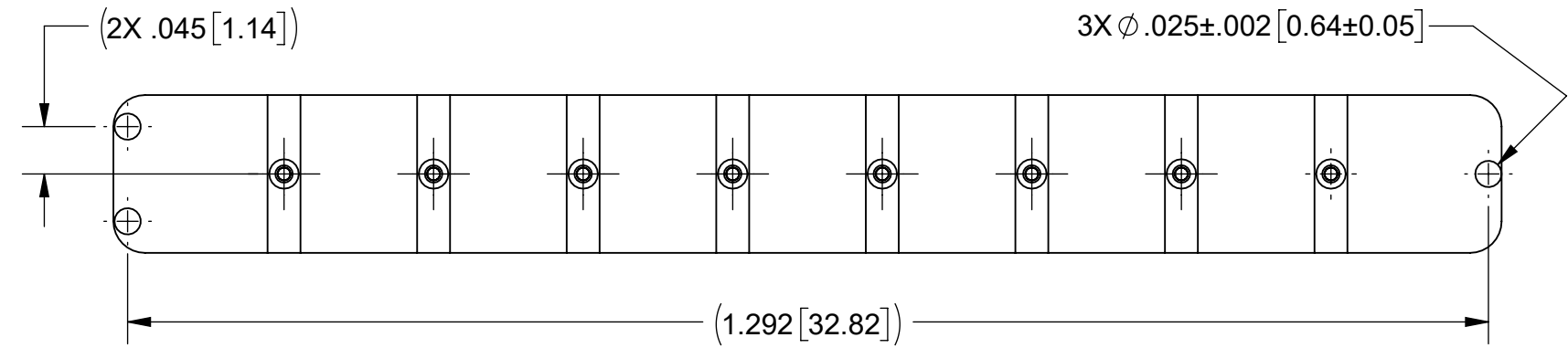
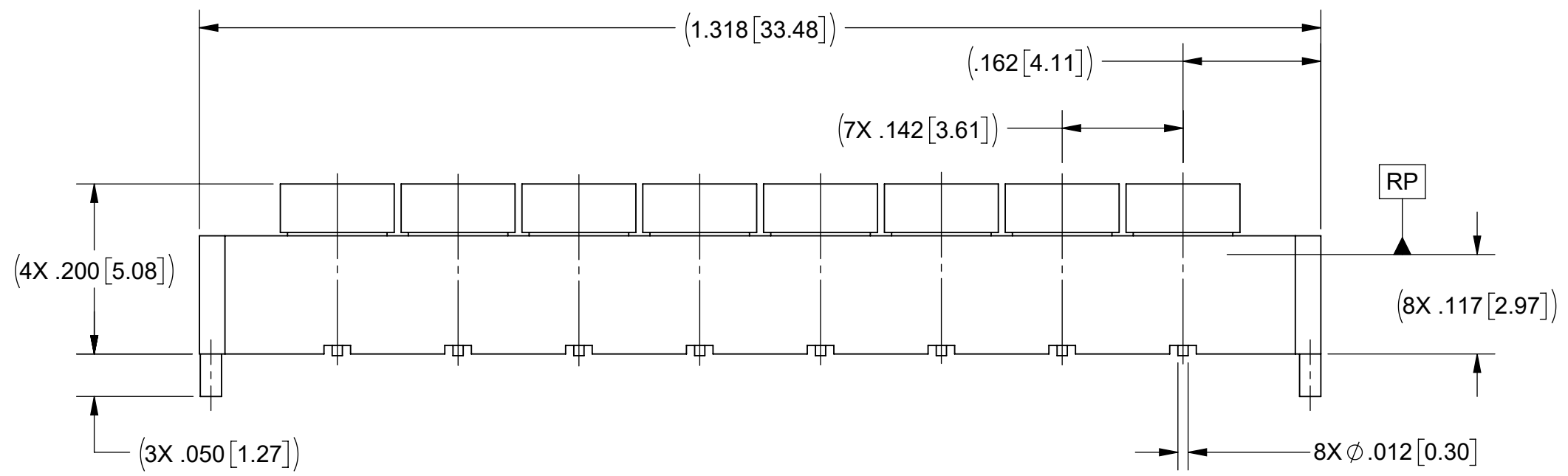


REVISION HISTORY			
REV	DESCRIPTION	DATE	APPROVED
-	NRN 48660	10/24	SEE PDM

PRODUCT DATA DRAWING



RECOMMENDED MOUNTING HOLE PATTERN



2X ACCEPTS Ø.0625
ALIGNMENT PIN
MAX DEPTH OF .095

ALIGNMENT PIN INFORMATION

MATERIAL:
 BODY & SHROUDS: BRASS PER ASTM B16, ALLOY UNS No. C36000
 CONTACTS: BERYLLIUM COPPER PER ASTM B196, ALLOY No. UNS C17300, TD04
 INSULATORS: ULTEM 1000
FINISH:
 BODY, SHROUDS, & CONTACTS: GOLD PER ASTM B488, TYPE II, CODE C, CLASS 1.27, OVER NICKEL PER AMS-QQ-N-290, CLASS 1, .00005" MIN.

PERFORMANCE:
 IMPEDANCE: 50 OHMS
 FREQ. RANGE: DC TO 40.0 GHz.

NOTES:
 1. FOR RECOMMENDED FOOTPRINT TO YOUR SPECIFIC PCB, PLEASE CONTACT SV MICROWAVE AT applications@svmicro.com.

MATERIAL: SEE NOTES	DIMENSIONS ARE IN INCHES TOLERANCES: FRACTIONAL: ±1/64 ANGULAR: X° ±1'0" X'X' ±15'	UNLESS OTHERWISE SPECIFIED 1) ALL DIMENSIONS ARE IN INCHES (MILLIMETERS) 2) ALL DIMENSIONS ARE AFTER PLATING. 3) BREAK CORNERS & EDGES .005 R. MAX. 4) CHAM. 1ST & LAST THREADS. 5) SURFACE ROUGHNESS 63-MIL-STD-10. 6) DIA.'S ON COMMON CENTERS TO BE CONCENTRIC WITHIN .005 T.I.R. 7) REMOVE ALL BURRS	 Amphenol www.svmicrowave.com TITLE: SMPM FD MALE 8-PORT SURFACE MOUNT
FINISH: SEE NOTES	DECIMAL: X ±.030 .XX ±.010 .XXX ±.005	INTERPRET DIMENSIONS AND TOLERANCES PER ASME Y14.5M - 1994	
SURFACE AREA: N/A	THIRD ANGLE PROJECTION	DRAWN: KRR 10/09/24	SIZE DWG. NO. B 9311-00071
PROPRIETARY THE INFORMATION CONTAINED IN THIS DRAWING IS THE SOLE PROPERTY OF SV MICROWAVE, INC. ANY REPRODUCTION IN PART OR AS A WHOLE WITHOUT THE WRITTEN PERMISSION OF SV MICROWAVE, INC IS PROHIBITED.		CHECKED: SEE PDM	SCALE: 6:1
		APPROVED: SEE PDM	SHEET 1 OF 1