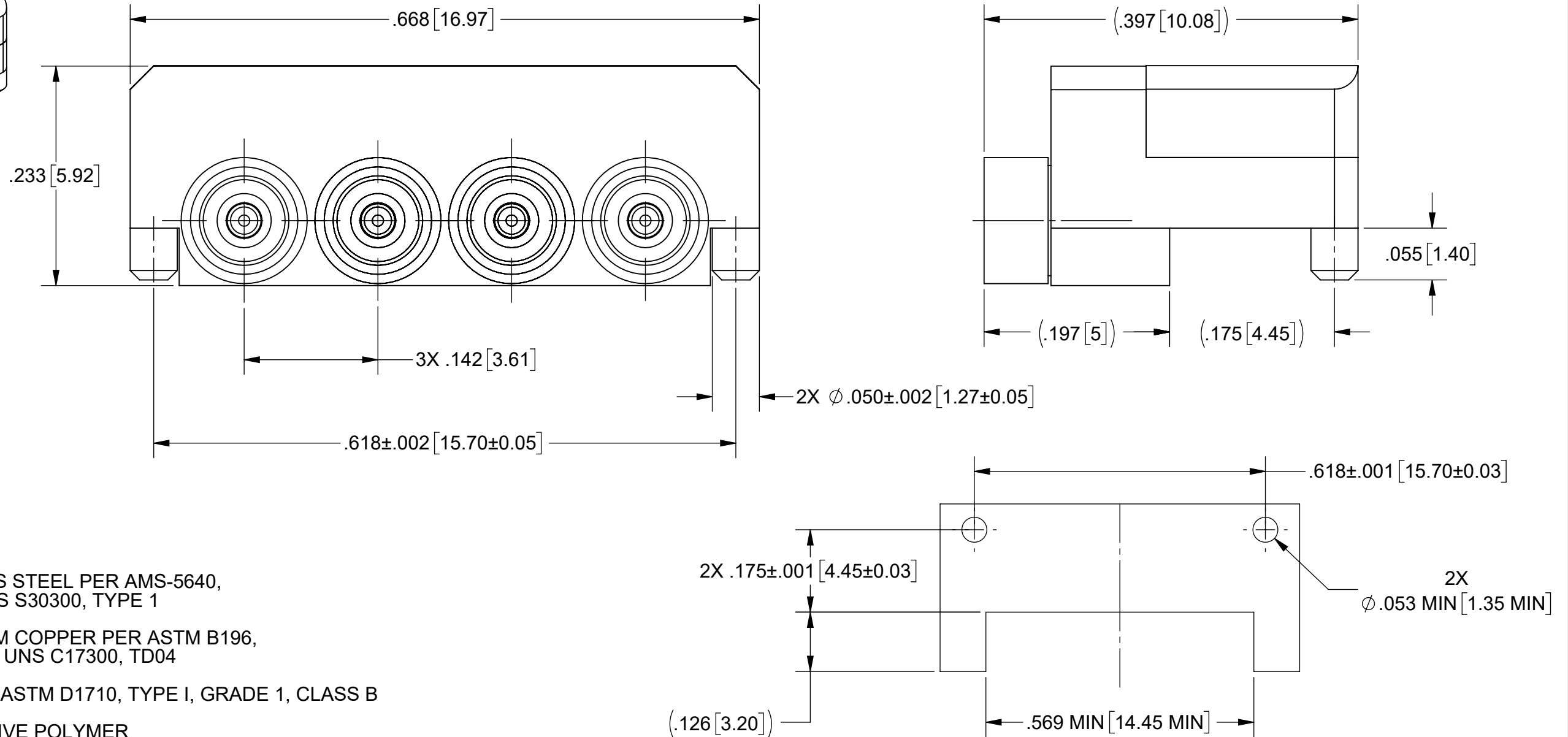
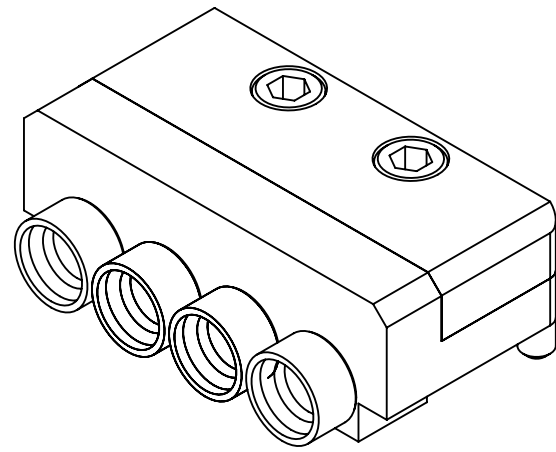


PRODUCT DATA DRAWING

REVISION HISTORY			
REV	DESCRIPTION	DATE	APPROVED
-	NRN 48960	02/25	SEE PDM



MATERIAL:

BODY, SCREWS,
PLATE &
SHROUDS:

STAINLESS STEEL PER AMS-5640,
ALLOY UNS S30300, TYPE 1

CONTACTS:

BERYLLIUM COPPER PER ASTM B196,
ALLOY No. UNS C17300, TD04

INSULATORS:

PTFE PER ASTM D1710, TYPE I, GRADE 1, CLASS B

EMI GASKET:

CONDUCTIVE POLYMER

FINISH:

BODY, SHROUDS,
PLATE &
CONTACTS:

GOLD PER ASTM B488, TYPE II,
CODE C, CLASS 1.27, OVER NICKEL
PER AMS-QQ-N-290, CLASS 1, .00005" MIN.

SCREWS:

PASSIVATED PER ASM 2700, TYPE 2

PERFORMANCE:

IMPEDANCE:
FREQ. RANGE:

50 OHMS
DC TO 40.0 GHz

NOTES:

- FOR OPTIMAL CROSSTALK AND EMI SHIELDING, PCB MUST BE EDGE PLATED.
- EMI LID TO BE INSTALLED AFTER REFLOW AND SOLDER JOINT INSPECTION.
- FOR A FOOTPRINT RECOMMENDATION SPECIFIC TO YOUR PCB, PLEASE CONTACT US AT applications@svmicro.com

RECOMMENDED MOUNTING PATTERN

SV P/N	INTERFACE
9311-60343	SMOOTH BORE
9311-60344	FULL DETENT

MATERIAL: SEE NOTES	DIMENSIONS ARE IN INCHES TOLERANCES: FRACTIONAL: ±1/64 ANGULAR: X° ±1'0" X'X' ±15'	UNLESS OTHERWISE SPECIFIED 1) ALL DIMENSIONS ARE IN INCHES (MILLIMETERS) 2) ALL DIMENSIONS ARE AFTER PLATING. 3) BREAK CORNERS & EDGES .005 R. MAX. 4) CHAM. 1ST & LAST THREADS. 5) SURFACE ROUGHNESS 63-MIL-STD-10. 6) DIA: 'S ON COMMON CENTERS TO BE CONCENTRIC WITHIN .005 T.I.R. 7) REMOVE ALL BURRS	 www.svmicrowave.com TITLE: 4 PORT SMPM MALE EDGE PCB MOUNT SIZE DWG. NO. B 9311-60343-60344 SCALE: 8:1 SHEET 1 OF 1
FINISH: SEE NOTES	DECIMAL: X ±.030 .XX ±.010 .XXX ±.005	INTERPRET DIMENSIONS AND TOLERANCES PER ASME Y14.5M - 1994	
SURFACE AREA: N/A	THIRD ANGLE PROJECTION	DRAWN: KRR 02/25/25	
PROPRIETARY THE INFORMATION CONTAINED IN THIS DRAWING IS THE SOLE PROPERTY OF SV MICROWAVE, INC. ANY REPRODUCTION IN PART OR AS A WHOLE WITHOUT THE WRITTEN PERMISSION OF SV MICROWAVE, INC IS PROHIBITED.		CHECKED: SEE PDM	
		APPROVED: SEE PDM	