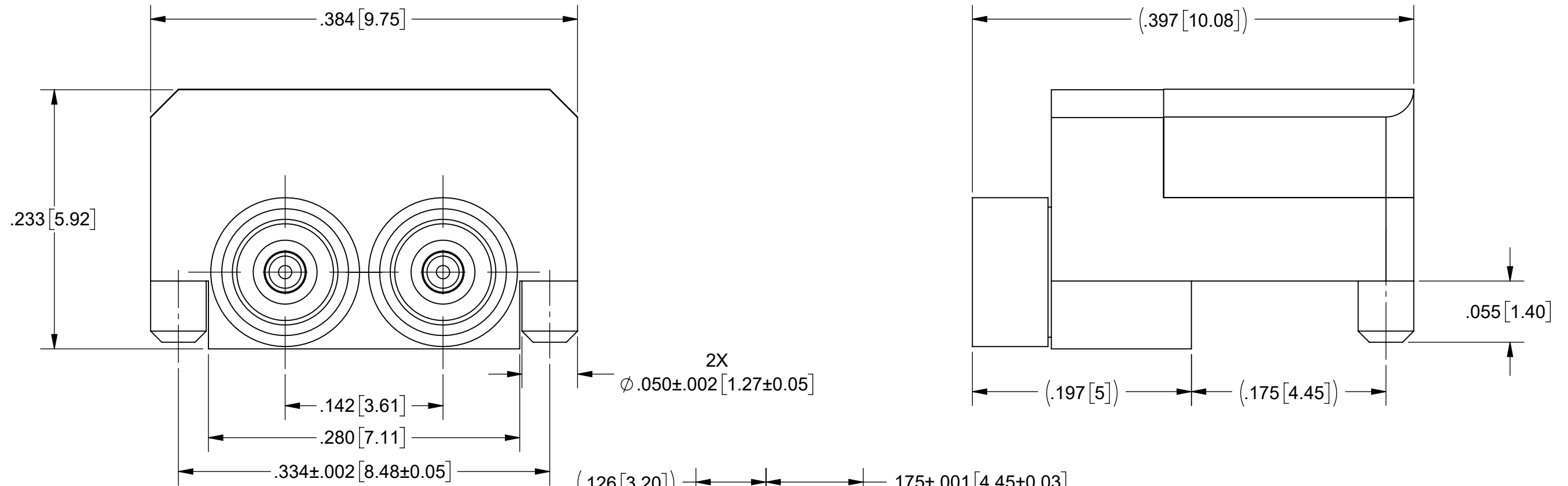


# PRODUCT DATA DRAWING

REVISION HISTORY			
REV	DESCRIPTION	DATE	APPROVED
-	NRN 48889	02/25	SEE PDM



## MATERIAL:

BODY, SCREWS,  
PLATE, &  
SHROUDS:

STAINLESS STEEL PER AMS-5640,  
ALLOY UNS S30300, TYPE 1

CONTACTS:

BERYLLIUM COPPER PER ASTM B196,  
ALLOY No. UNS C17300, TD04

INSULATORS:

PTFE PER ASTM D1710, TYPE I, GRADE 1, CLASS B

EMI GASKET:

CONDUCTIVE POLYMER

## FINISH:

BODY,  
SHROUDS,  
PLATE &  
CONTACTS:

GOLD PER ASTM B488, TYPE II,  
CODE C, CLASS 1.27, OVER NICKEL  
PER AMS-QQ-N-290, CLASS 1, .00005" MIN.

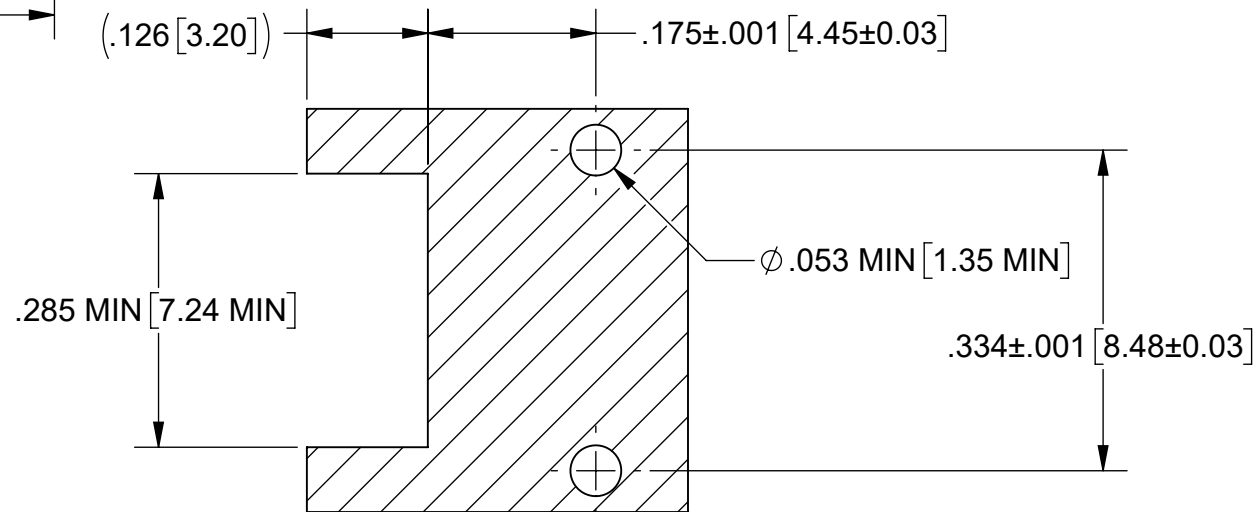
SCREWS:

PASSIVATED PER ASM 2700, TYPE 2

## PERFORMANCE:

IMPEDANCE:  
FREQ. RANGE:

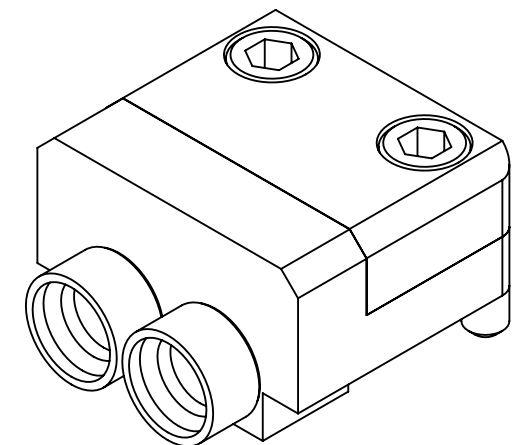
50 OHMS  
DC TO 40.0 GHz



## RECOMMENDED MOUNTING PATTERN

## NOTES:

- FOR OPTIMAL CROSSTALK AND EMI SHIELDING, PCB MUST BE EDGE PLATED.
- EMI LID TO BE INSTALLED AFTER REFLOW AND SOLDER JOINT INSPECTION.
- FOR A FOOTPRINT RECOMMENDATION SPECIFIC TO YOUR PCB, PLEASE CONTACT US AT [applications@svmicro.com](mailto:applications@svmicro.com)



P/N	DETENT
9311-60341	SMOOTH BORE
9311-60342	FULL DETENT

MATERIAL: SEE NOTES	DIMENSIONS ARE IN INCHES TOLERANCES: FRACTIONAL: $\pm 1/64$ ANGULAR: X° $\pm 1'0''$ X°X' $\pm 15''$	UNLESS OTHERWISE SPECIFIED 1) ALL DIMENSIONS ARE IN INCHES (MILLIMETERS) 2) ALL DIMENSIONS ARE AFTER PLATING. 3) BREAK CORNERS & EDGES .005 R. MAX. 4) CHAM. 1ST & LAST THREADS. 5) SURFACE ROUGHNESS 63-MIL-STD-10. 6) DIA. 'S ON COMMON CENTERS TO BE CONCENTRIC WITHIN .005 T.I.R. 7) REMOVE ALL BURRS	 www.svmicrowave.com TITLE: 2 PORT SMPM MALE EDGE PCB MOUNT
FINISH: SEE NOTES	DECIMAL: X $\pm .030$ .XX $\pm .010$ .XXX $\pm .005$		
SURFACE AREA: N/A	INTERPRET DIMENSIONS AND TOLERANCES PER ASME Y14.5M - 1994	THIRD ANGLE PROJECTION	DRAWN: SJ 02/03/25 CHECKED: SEE PDM APPROVED: SEE PDM
PROPRIETARY THE INFORMATION CONTAINED IN THIS DRAWING IS THE SOLE PROPERTY OF SV MICROWAVE, INC. ANY REPRODUCTION IN PART OR AS A WHOLE WITHOUT THE WRITTEN PERMISSION OF SV MICROWAVE, INC IS PROHIBITED.		SIZE DWG. NO. <b>B</b> 9311-60341-60342	SCALE: 10:1 SHEET 1 OF 1