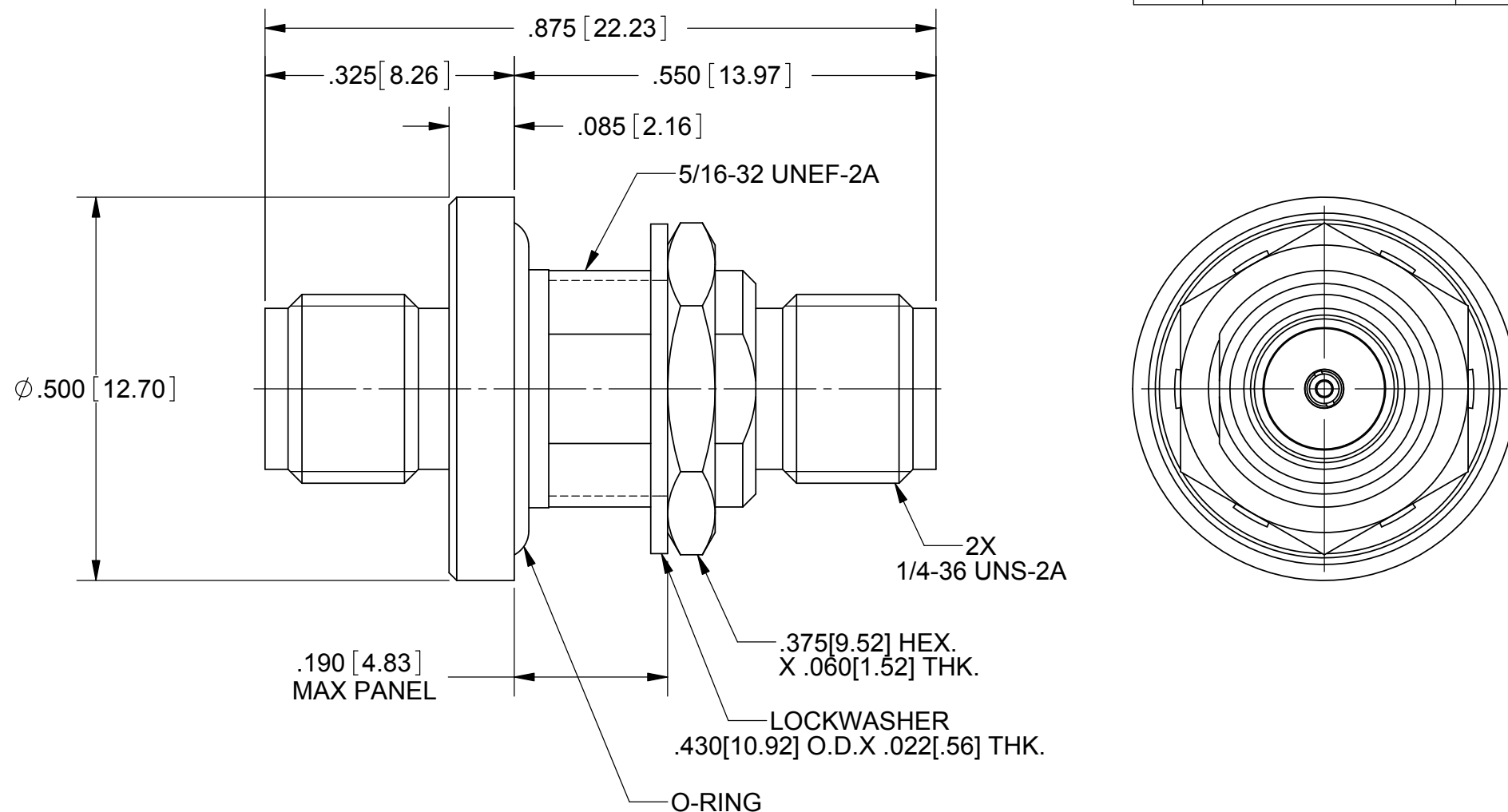


PRODUCT DATA DRAWING

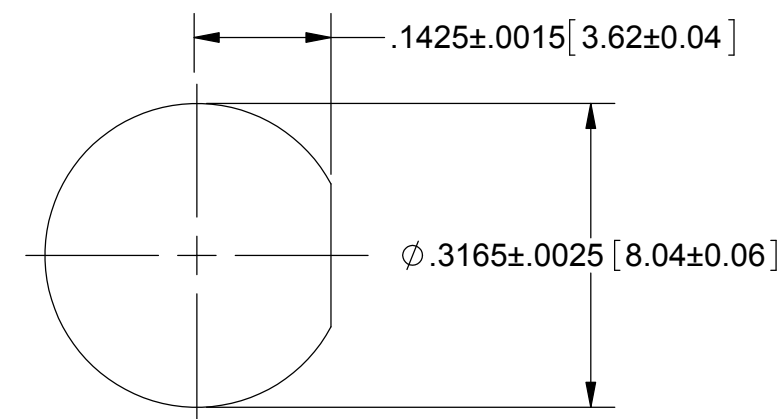
REVISION HISTORY			
REV	DESCRIPTION	DATE	APPROVED
A	REV. DCN 41174	02/23/14	STW



- MATERIAL:**
- BODY & HEX NUT:** STAINLESS STEEL PER AMS-5640, ALLOY UNS S30300, TYPE 1.
 - LOCK WASHER:** 300 SERIES STAINLESS STEEL
 - CONTACTS:** BERYLLIUM COPPER PER ASTM B196, ALLOY No. UNS C17300, TD04.
 - PIN:** KOVAR PER ASTM-F15, UNS ALLOY No. K94610.
 - INSULATORS:** PTFE PER ASTM D1710, TYPE I, GRADE 1, CLASS B.
 - O-RING:** SILICONE RUBBER PER A-A-59588, CLASS 2B, GRADE 60/70
 - GLASS BEAD:** EN-1 OR EQUIVALENT SOLID GLASS
 - FINISH:**
 - BODY, HEX NUT, & LOCK WASHER:** PASSIVATED PER AMS-2700
 - CONTACTS:** GOLD PER ASTM B488, TYPE II, CODE C, CLASS 1.27 OVER NICKEL PER AMS-QQ-N-290, CLASS 1, .00005" MIN.

PERFORMANCE:F

- IMPEDANCE:** 50 OHMS
- FREQ. RANGE:** DC TO 12.4 GHZ
- DWV:** 1000 VRMS
- INSUL. RESISTANCE:** 5000 MEGOHMS
- VSWR:** 1.10+.015XF(F IN GHZ)
- INSERTION LOSS:** .15 X SQRT F(F IN GHZ) @ 6 GHZ
- LEAK RATE:** 1 X 10⁻⁷ CC/SEC
- OPER. TEMPERATURE:** -65 TO +165 °C



RECOMMENDED MOUNTING HOLE

MATERIAL: SEE NOTES	DIMENSIONS ARE IN INCHES TOLERANCES: FRACTIONAL: ±1/64 ANGULAR: X° ±1'0" X'X' ±15'	UNLESS OTHERWISE SPECIFIED 1) ALL DIMENSIONS ARE IN INCHES (MILLIMETERS) 2) ALL DIMENSIONS ARE AFTER PLATING. 3) BREAK CORNERS & EDGES .005 R. MAX. 4) CHAM. 1ST & LAST THREADS. 5) SURFACE ROUGHNESS 63-MIL-STD-10. 6) DIA.'S ON COMMON CENTERS TO BE CONCENTRIC WITHIN .005 T.I.R. 7) REMOVE ALL BURRS	SV Microwave, Inc. 2400 Centrepark West Drive, Suite 100 West Palm Beach, FL 33409
FINISH: SEE NOTES	DECIMAL: X ±.030 .XX ±.010 .XXX ±.005	INTERPRET DIMENSIONS AND TOLERANCES PER ASME Y14.5M - 1994	TITLE: SMA JACK TO JACK BULKHEAD ADAPTER HERMETIC SEAL
SURFACE AREA: N/A	THIRD ANGLE PROJECTION	DRAWN: RPA 02/17/86 CHECKED: JMC 02/23/15 APPROVED: ND 02/27/86	SIZE: B CAGE CODE: 95077 DWG. NO.: M55339/28-30001
<p>PROPRIETARY</p> <p>THE INFORMATION CONTAINED IN THIS DRAWING IS THE SOLE PROPERTY OF SV MICROWAVE, INC. ANY REPRODUCTION IN PART OR AS A WHOLE WITHOUT THE WRITTEN PERMISSION OF SV MICROWAVE, INC IS PROHIBITED.</p>		SCALE: 5:1	SHEET 1 OF 1