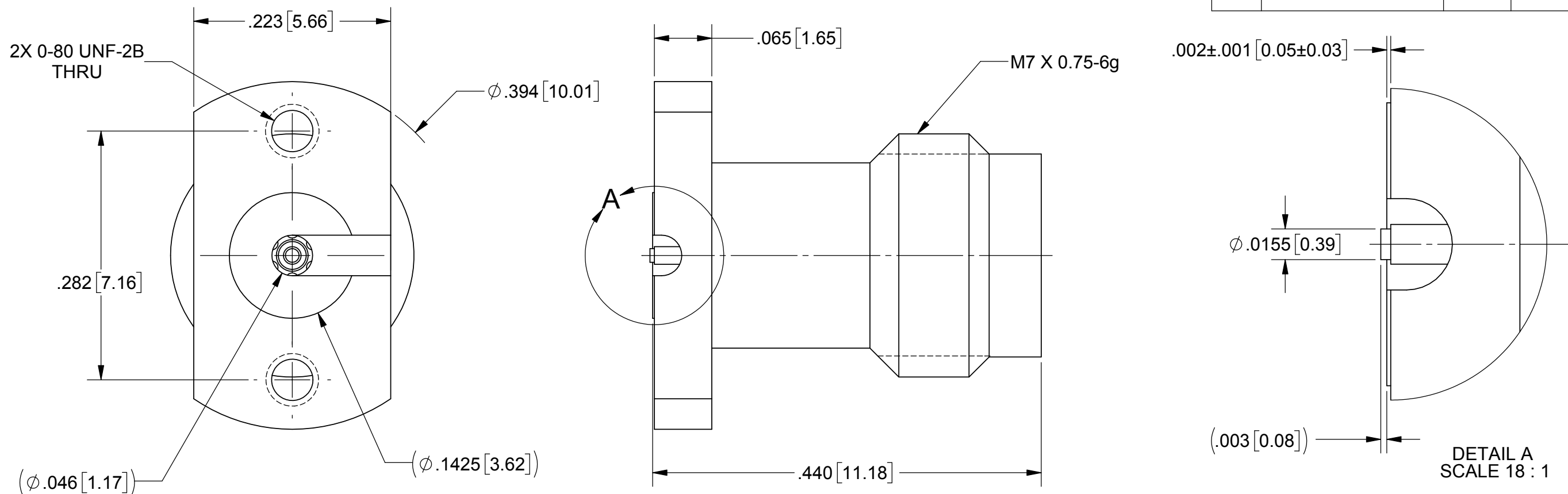


# PRODUCT DATA DRAWING

REVISION HISTORY			
REV	DESCRIPTION	DATE	APPROVED
-	DCN 47174	02/18	GPF
A	REV. DCN 47420	05/03/18	STW



**MATERIAL:**  
**BODY & INSERT:** STAINLESS STEEL PER AMS 5640, ALLOY UNS S30300, TYPE 1 OR ASTM A582, TYPE 303, CONDITION A.  
**CONTACT:** BERYLLIUM COPPER PER ASTM B196, ALLOY No. UNS C17300, TD04.  
**INSULATOR:** PEI (ULTEM 1000) PER ASTM D5205.  
**SCREWS:** 300 SERIES STAINLESS STEEL.  
**FINISH:**

**BODY, INSERT & SCREWS:** PASSIVATED PER AMS 2700.  
**CONTACT:** GOLD PER ASTM B488, TYPE II, CODE C, CLASS .76, OVER NICKEL PER AMS-QQ-N-290, CLASS 1, .00005" MIN.

**PERFORMANCE:**  
**IMPEDANCE:** 50 OHMS  
**FREQ. RANGE:** DC TO 67.0 GHz  
**VSWR:** 1.35:1 DC TO 67.0 GHz  
**INSERTION LOSS:** .05 X SQRT(F(F IN GHz))

**NOTES:**  
 1. FOR A FOOTPRINT RECOMMENDATION SPECIFIC TO YOUR PCB, PLEASE CONTACT US AT [applications@svmicro.com](mailto:applications@svmicro.com)

SV P/N	DESCRIPTION	PCB THICKNESS	(L)
SF3321-60024-1S	INCL. 2 EA (.188) SCREWS	.016 TO .123	.188
SF3321-60024-2S	INCL. 2 EA (.250) SCREWS	.078 TO .185	.250
SF3321-60024-3S	INCL. 2 EA (.438) SCREWS	.266 TO .373	.438
SF3321-60024	NO SCREWS	.005 TO .373	N/A

<b>MATERIAL:</b> SEE NOTES <b>FINISH:</b> SEE NOTES <b>SURFACE AREA:</b> N/A <b>PROPRIETARY</b> <small>THE INFORMATION CONTAINED IN THIS DRAWING IS THE SOLE PROPERTY OF SV MICROWAVE, INC. ANY REPRODUCTION IN PART OR AS A WHOLE WITHOUT THE WRITTEN PERMISSION OF SV MICROWAVE, INC IS PROHIBITED.</small>	DIMENSIONS ARE IN INCHES TOLERANCES: FRACTIONAL: ±1/64 ANGULAR: X° ±1'0" X'X' ±15' DECIMAL: X ±.030 .XX ±.010 .XXX ±.005 INTERPRET DIMENSIONS AND TOLERANCES PER ASME Y14.5M - 1994	UNLESS OTHERWISE SPECIFIED 1) ALL DIMENSIONS ARE IN INCHES (MILLIMETERS) 2) ALL DIMENSIONS ARE AFTER PLATING. 3) BREAK CORNERS & EDGES .005 R. MAX. 4) CHAM. 1ST & LAST THREADS. 5) SURFACE ROUGHNESS 63-MIL-STD-10. 6) DIA.'S ON COMMON CENTERS TO BE CONCENTRIC WITHIN .005 T.I.R. 7) REMOVE ALL BURRS	<b>SV Microwave, Inc.</b> 2400 Centrepark West Drive, Suite 100 West Palm Beach, FL 33409 TITLE: 1.85MM JACK 2 HOLE FLANGE COMPRESSION MOUNT (67 GHz) FOR CPW/MICROSTRIP SIZE: B CAGE CODE: 95077 DWG. NO.: SF3321-60024-XS SCALE: 8:1