

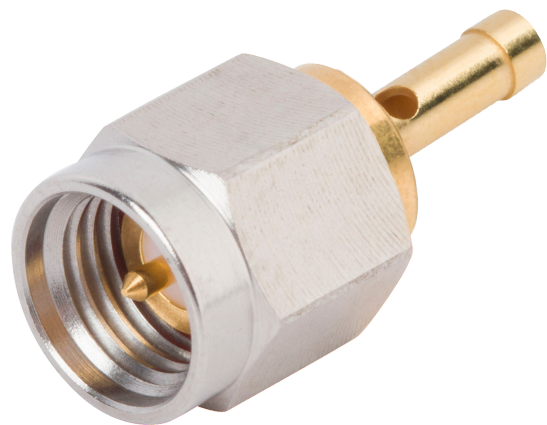
# Extended Ferrule Cable Connectors

## Features & Benefits

- Longer-length ferrule protects solder joints
- Increases durability for use in the field
- Replaces the need for shrink tubing
- Allows aggressive bends

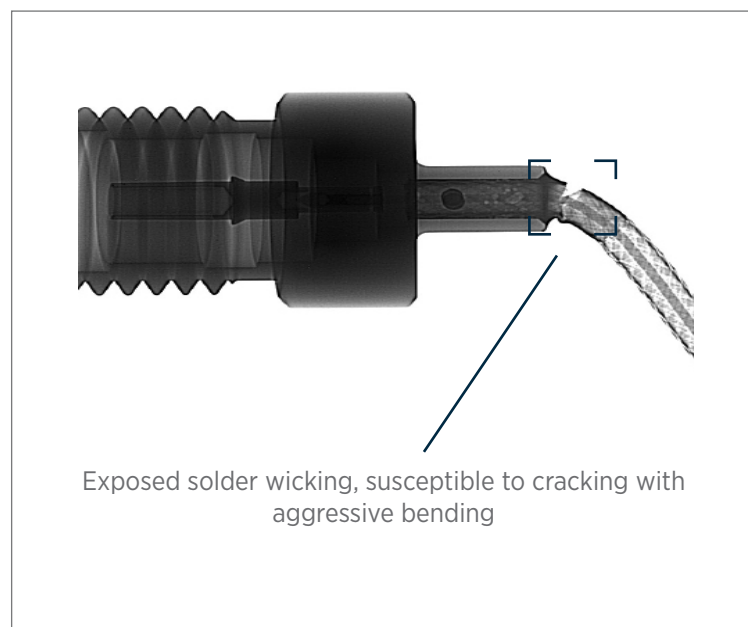
## Applications

- High Vibration Environments
- Military and Aerospace
- Test and Instrumentation
- Industrial

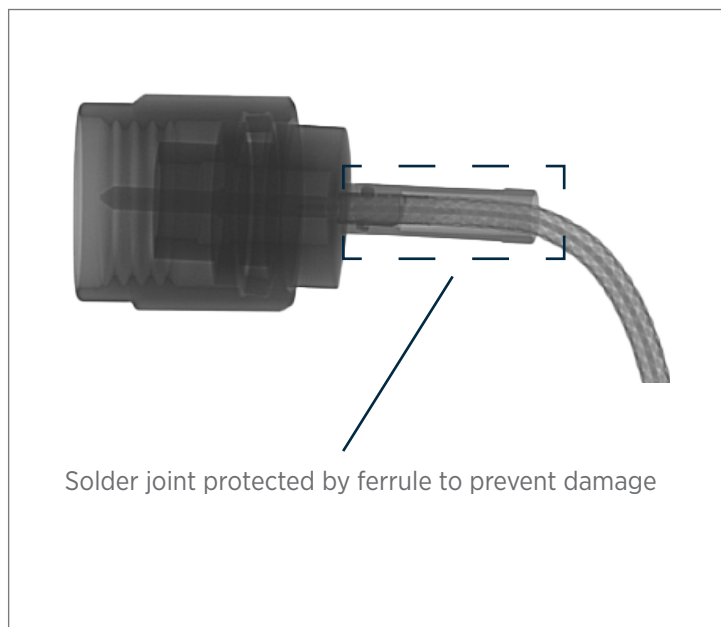


## Why Are Extended Ferrule Cable Connectors Important?

Solder wicking is when solder wicks up the cable braid during assembly. This creates a brittle section of cable immediately behind the connector ferrule that is exacerbated on small diameter, flexible cable. Even with strain relief, this section of the cable is susceptible to breakage with aggressive handling or bending. SV's Extended Ferrule Cable Connectors reduce cable damage by containing the solder wicking within the cable ferrule. This allows for a bend to be made immediately after the connector.



**Figure 1:** Cable assembly with damage caused by bending in the solder wicking area



**Figure 2:** Cable assembly with extended ferrule cable connector, with no damage

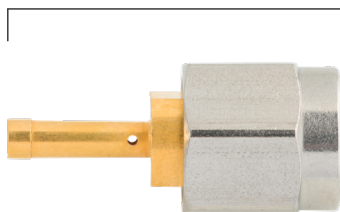
## Comparison of Product Dimensions

SV Microwave's complete line of Extended Ferrule Cable Connectors increase the robustness of a cable assembly by incorporating a longer ferrule than its standard counterparts. The table below provides a comparison between our standard and extended ferrule cable connectors. One other difference between each connector type is that the longer ferrule eliminates the need for shrink tubing.

### SMA Male Connector for .047 Cable

#### Extended Ferrule Series

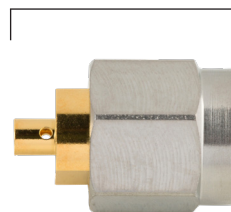
(.711 [18.060])



P/N: 2911-61016

#### Standard Ferrule Series

(.499 [12.670])

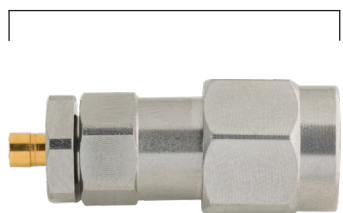


P/N: SF2911-60172

### 2.92mm Male Connector for .047 Cable

#### Extended Ferrule Series

(.705 [17.900])



P/N: 1511-60133

#### Standard Ferrule Series

(.705 [17.900])

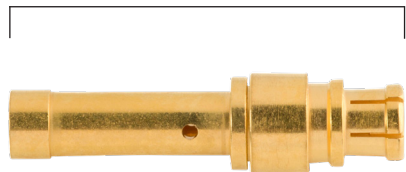


P/N: SF1511-60069

### SMPM Female Connector for .047 Cable

#### Extended Ferrule Series

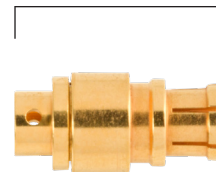
(.487 [12.370])



P/N: 3221-40147

#### Standard Ferrule Series

(.260 [6.600])



P/N: 3221-40007