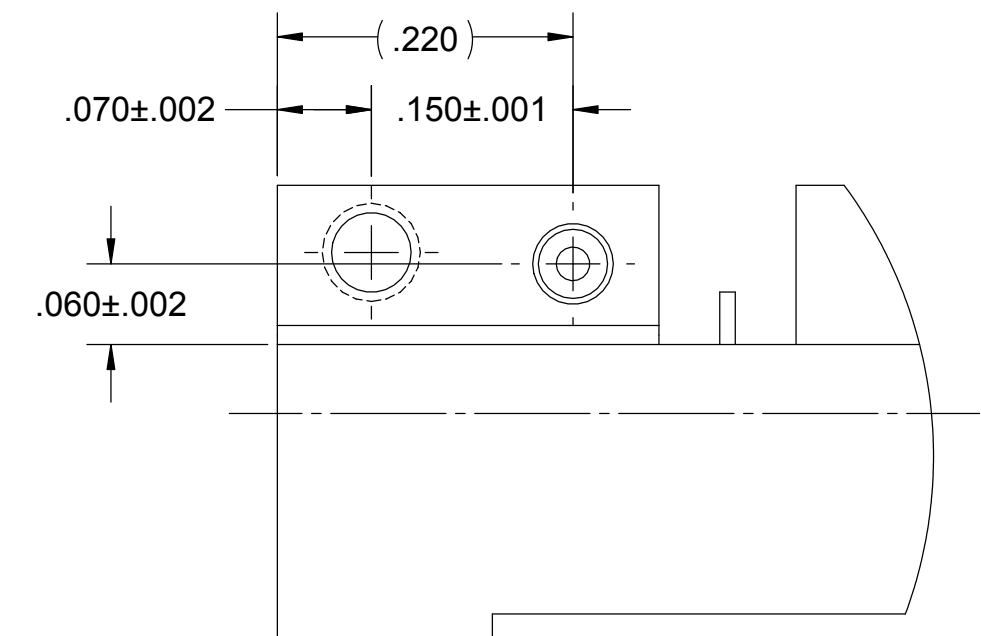
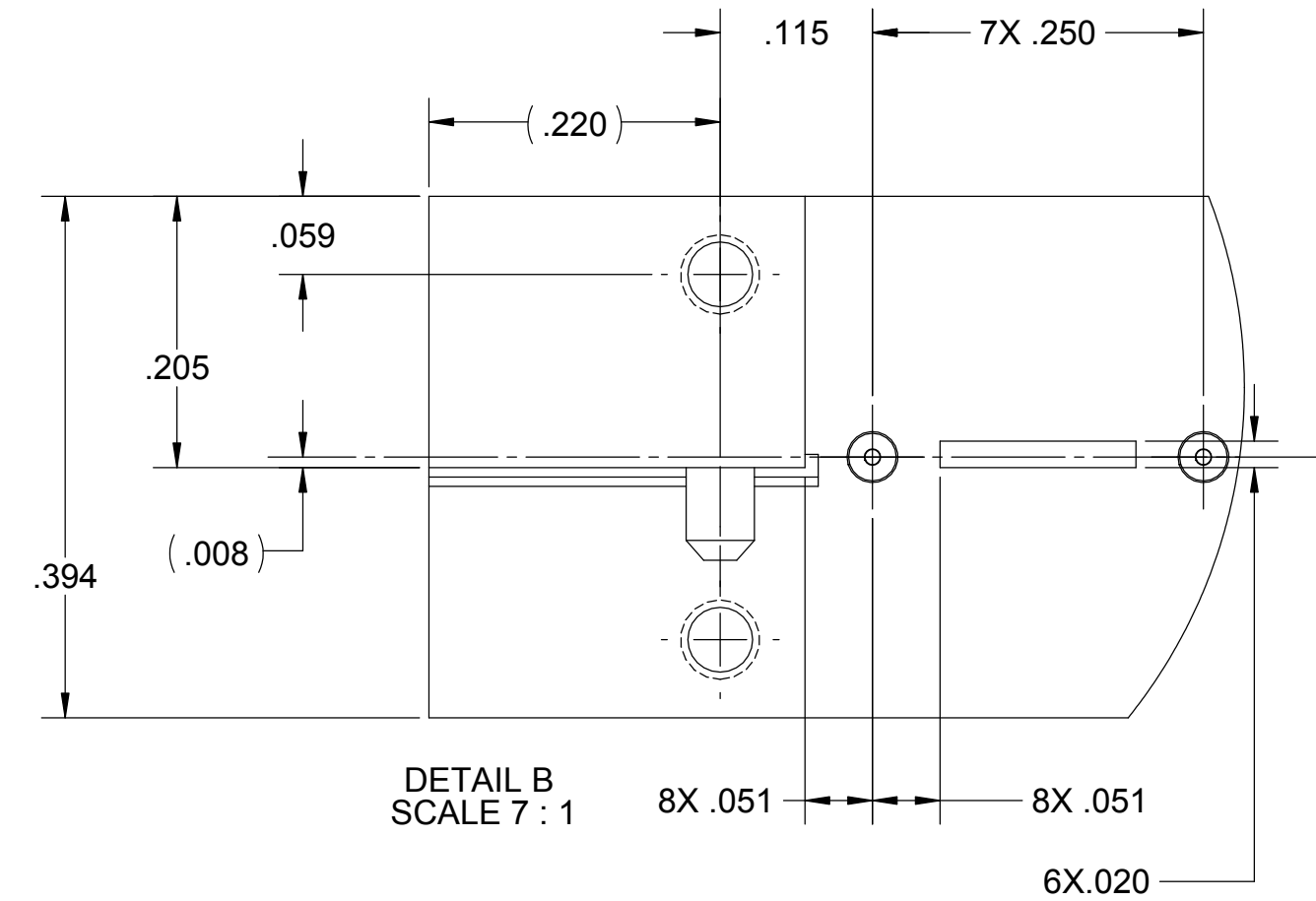
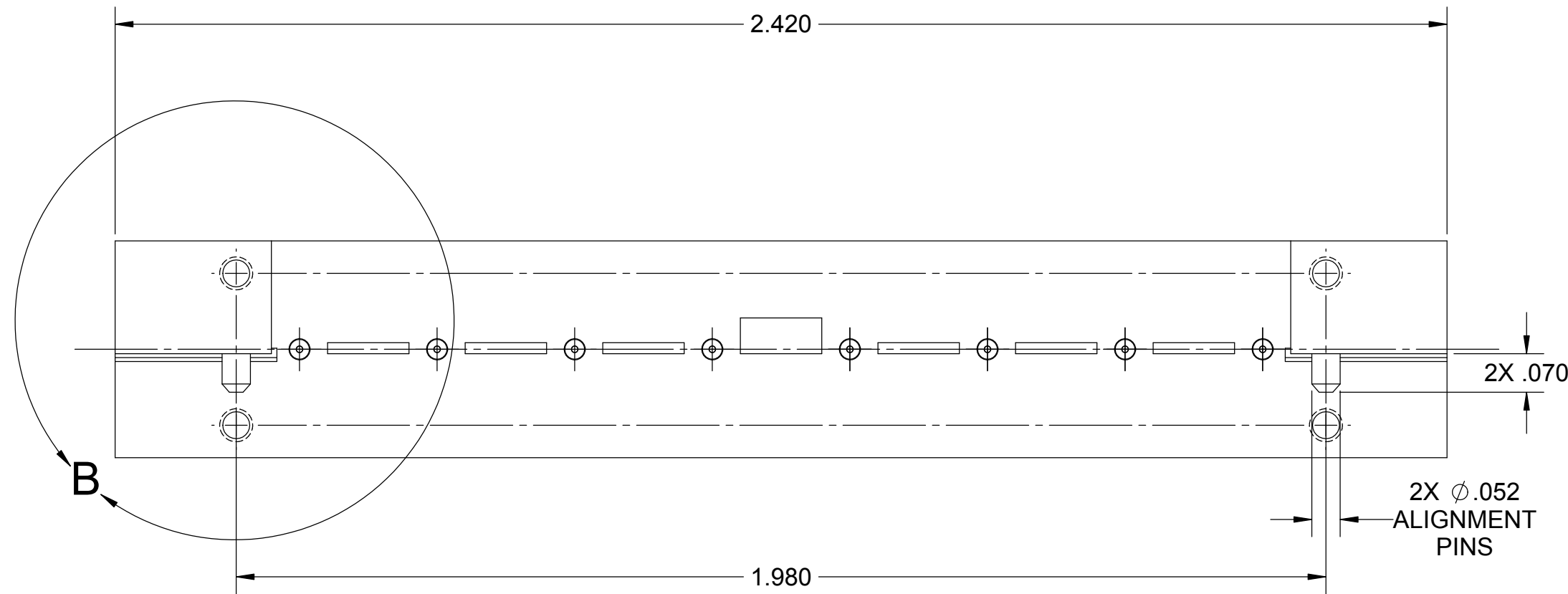
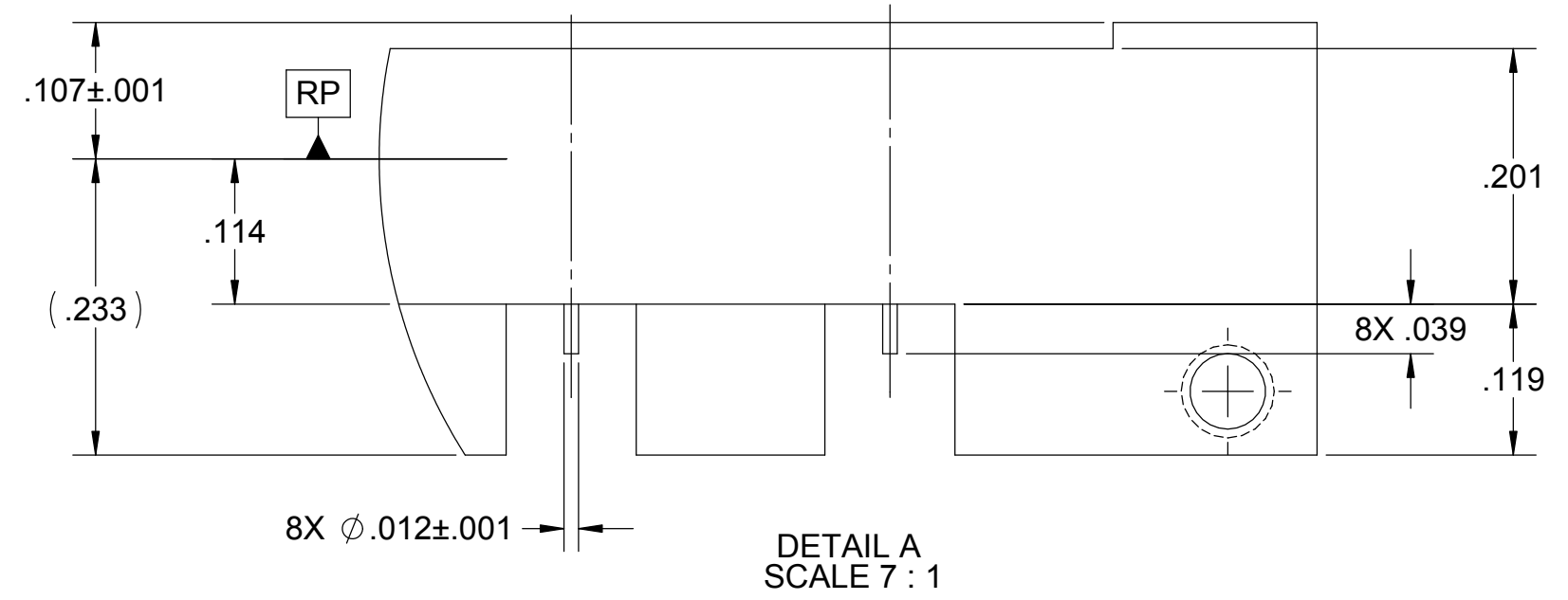
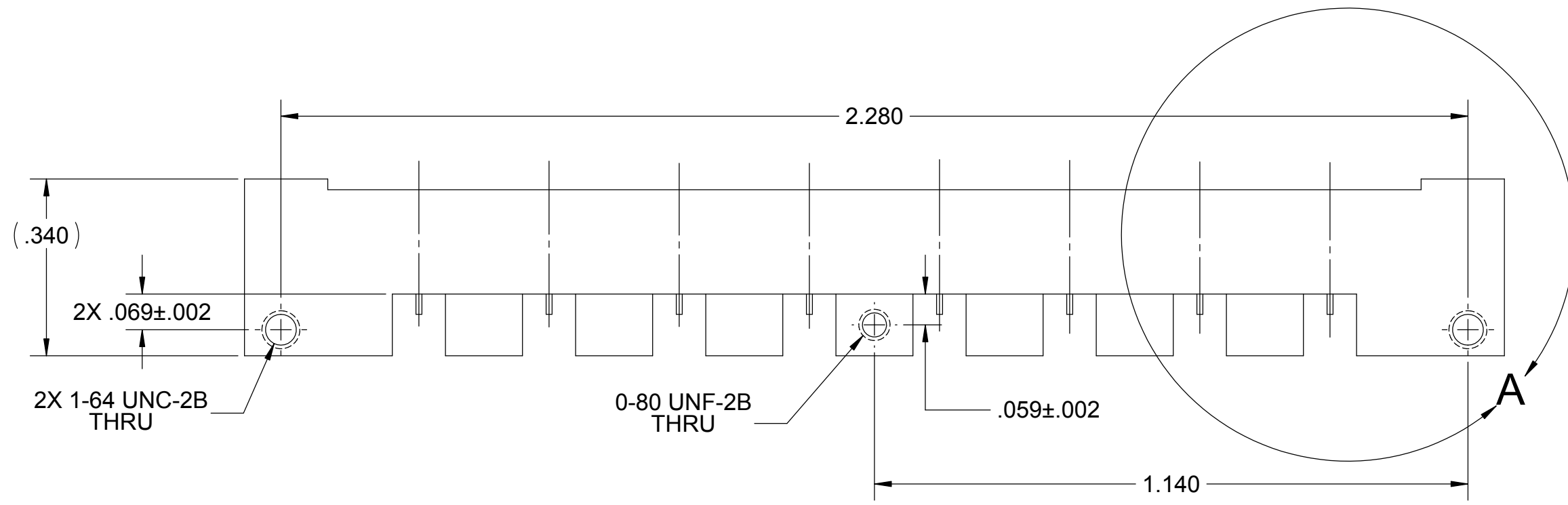


PRODUCT DATA DRAWING

REVISION HISTORY			
REV.	DESCRIPTION	DATE	APPROVED
-	NRN 40630	05/16	STW



MATERIAL:

BODY & SHROUDS: STAINLESS STEEL PER AMS-5640, ALLOY UNS S30300, TYPE 1; OR ASTM A582 TYPE 303, COND. A

CONTACTS: BERYLLIUM COPPER PER ASTM B196, ALLOY No. UNS C17300, TD04

INSULATORS: PTFE PER ASTM D1710, TYPE I, GRADE 1, CLASS B

FINISH:

BODY, SHROUDS, & CONTACTS: GOLD PER ASTM B488, TYPE II, CODE C, CLASS 0.76, OVER NICKEL PER AMS-QQ-N-290, CLASS 1, .00010" MIN.

PERFORMANCE:

IMPEDANCE: 50 OHMS
FREQ. RANGE: DC TO 65 GHZ.

MATERIAL: SEE NOTES

FINISH: SEE NOTES

DO NOT SCALE DRAWING

PROPRIETARY

THE INFORMATION CONTAINED IN THIS DRAWING IS THE SOLE PROPERTY OF SV MICROWAVE, INC. ANY REPRODUCTION IN PART OR AS A WHOLE WITHOUT THE WRITTEN PERMISSION OF SV MICROWAVE, INC. IS PROHIBITED.

DIMENSIONS ARE IN INCHES
TOLERANCES:
ANGULAR: $\pm 1^\circ$
ONE PLACE DECIMAL $\pm .030$
TWO PLACE DECIMAL $\pm .010$
THREE PLACE DECIMAL $\pm .005$

INTERPRET DIMENSIONS AND TOLERANCES PER ASME Y14.5M - 1994

THIRD ANGLE PROJECTION



UNLESS OTHERWISE SPECIFIED:

- ALL DIMENSIONS ARE AFTER PLATING.
- BREAK CORNERS & EDGES R.005 MAX.
- CHAMFER 1ST AND LAST THREAD.
- SURFACE ROUGHNESS 63 PER MIL-STD-10.
- DIA'S ON COMMON CENTERS TO BE CONCENTRIC WITHIN .005 T.I.R.
- REMOVE ALL BURRS.

DRAWN: FED 05/26/16

CHECKED: STW 05/26/16

APPROVED: STW 05/26/16

E.M. SIMULATION:

SV Microwave, Inc.[®]

2400 Centrepark West Drive, Suite 100
West Palm Beach, FL 33409

TITLE: SMPM CM MALE 8-PORT
EDGE LAUNCH

SIZE: C
CAGE CODE: 95077

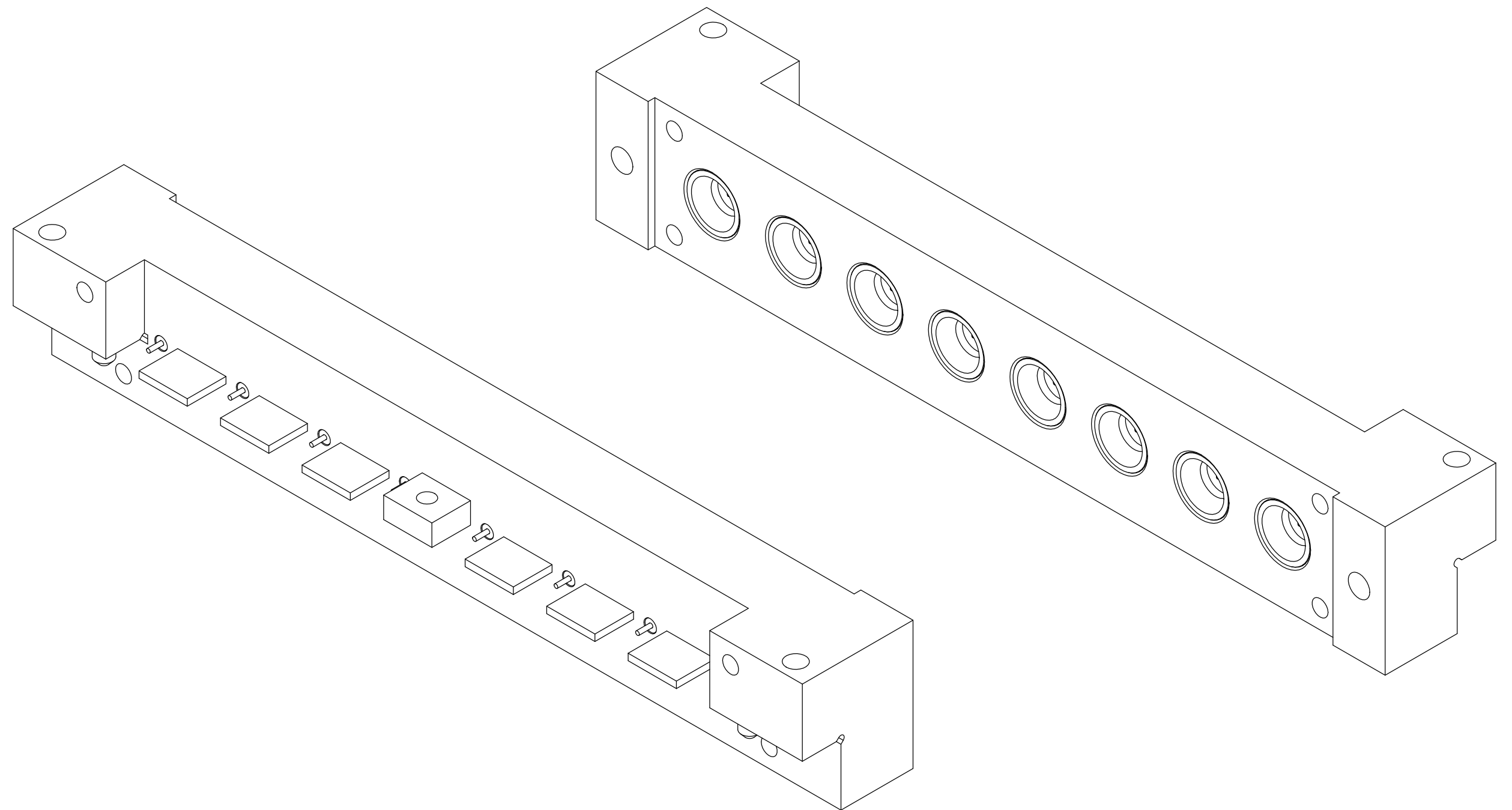
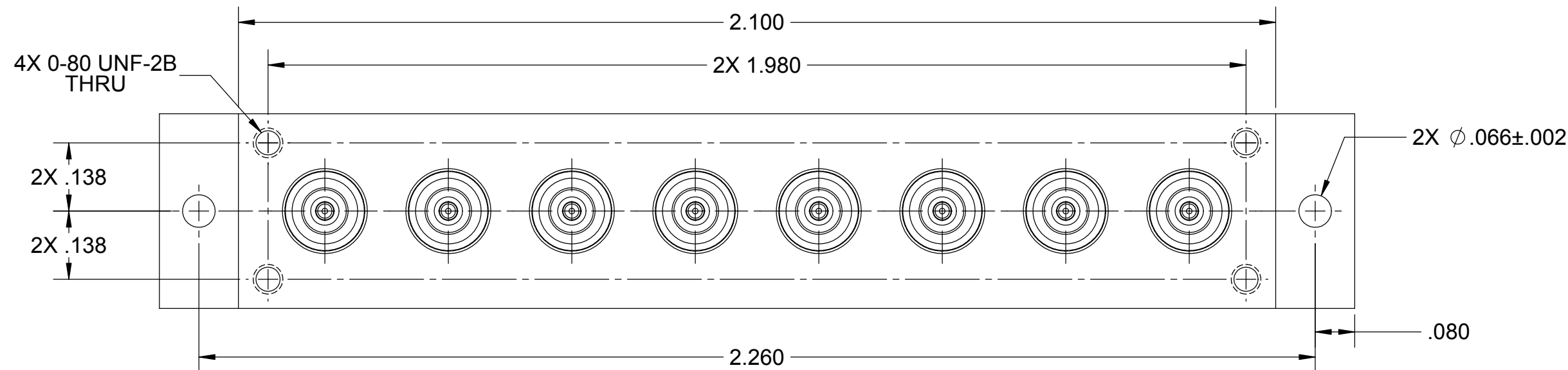
DWG. NO. 3211-60180

SCALE: 4:1

SHEET 1 OF 2

PRODUCT DATA DRAWING

REVISION HISTORY			
REV.	DESCRIPTION	DATE	APPROVED
	SEE SHEET 1		



MATERIAL: SEE NOTES
 FINISH: SEE NOTES
 DO NOT SCALE DRAWING

PROPRIETARY

THE INFORMATION CONTAINED IN THIS DRAWING IS THE SOLE PROPERTY OF SV MICROWAVE, INC. ANY REPRODUCTION IN PART OR AS A WHOLE WITHOUT THE WRITTEN PERMISSION OF SV MICROWAVE, INC. IS PROHIBITED.

DIMENSIONS ARE IN INCHES
 TOLERANCES:
 ANGULAR: ±1°
 ONE PLACE DECIMAL ±.030
 TWO PLACE DECIMAL ±.010
 THREE PLACE DECIMAL ±.005
 INTERPRET DIMENSIONS AND TOLERANCES PER ASME Y14.5M - 1994

THIRD ANGLE PROJECTION



UNLESS OTHERWISE SPECIFIED:
 1. ALL DIMENSIONS ARE AFTER PLATING.
 2. BREAK CORNERS & EDGES R.005 MAX.
 3. CHAMFER 1ST AND LAST THREAD.
 4. SURFACE ROUGHNESS 63 PER MIL-STD-10.
 5. DIA'S ON COMMON CENTERS TO BE CONCENTRIC WITHIN .005 T.I.R.
 6. REMOVE ALL BURRS.

DRAWN: FED 05/26/16
 CHECKED: STW 05/26/16
 APPROVED: STW 05/26/16
 E.M. SIMULATION:

SV Microwave, Inc.
 2400 Centrepark West Drive, Suite 100
 West Palm Beach, FL 33409

TITLE: **SMPM CM MALE 8-PORT
 EDGE LAUNCH**

SIZE	CAGE CODE	DWG. NO.
C	95077	3211-60180

SCALE: 4:1 SHEET 2 OF 2